

# **J E T**

**JTSS-3000**

**PANEL SAW**

**1000030T....400/50/3**

**PARTS LIST**

**ERSATZTEILLISTE**

**LISTE DE PIECES**

**WMH Tool Group AG**

Bahnstrasse 24, CH – 8603 Schwerzenbach

[www.wmhtoolgroup.ch](http://www.wmhtoolgroup.ch)

[info@wmhtoolgroup.ch](mailto:info@wmhtoolgroup.ch)

Tel +41 (0)44 806 47 48

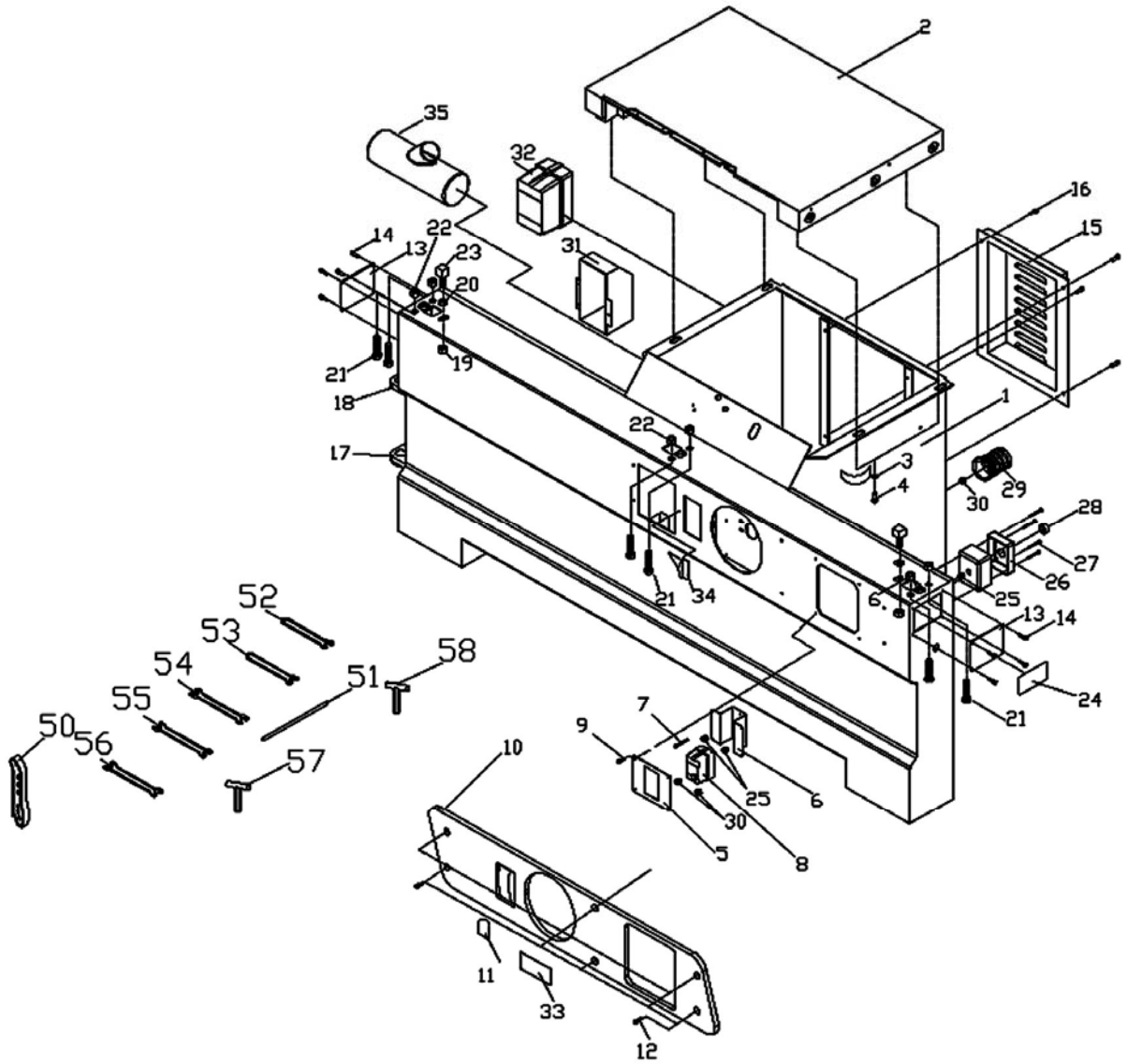
Fax +41 (0) 44 806 47 58



P-1000030T

11/05

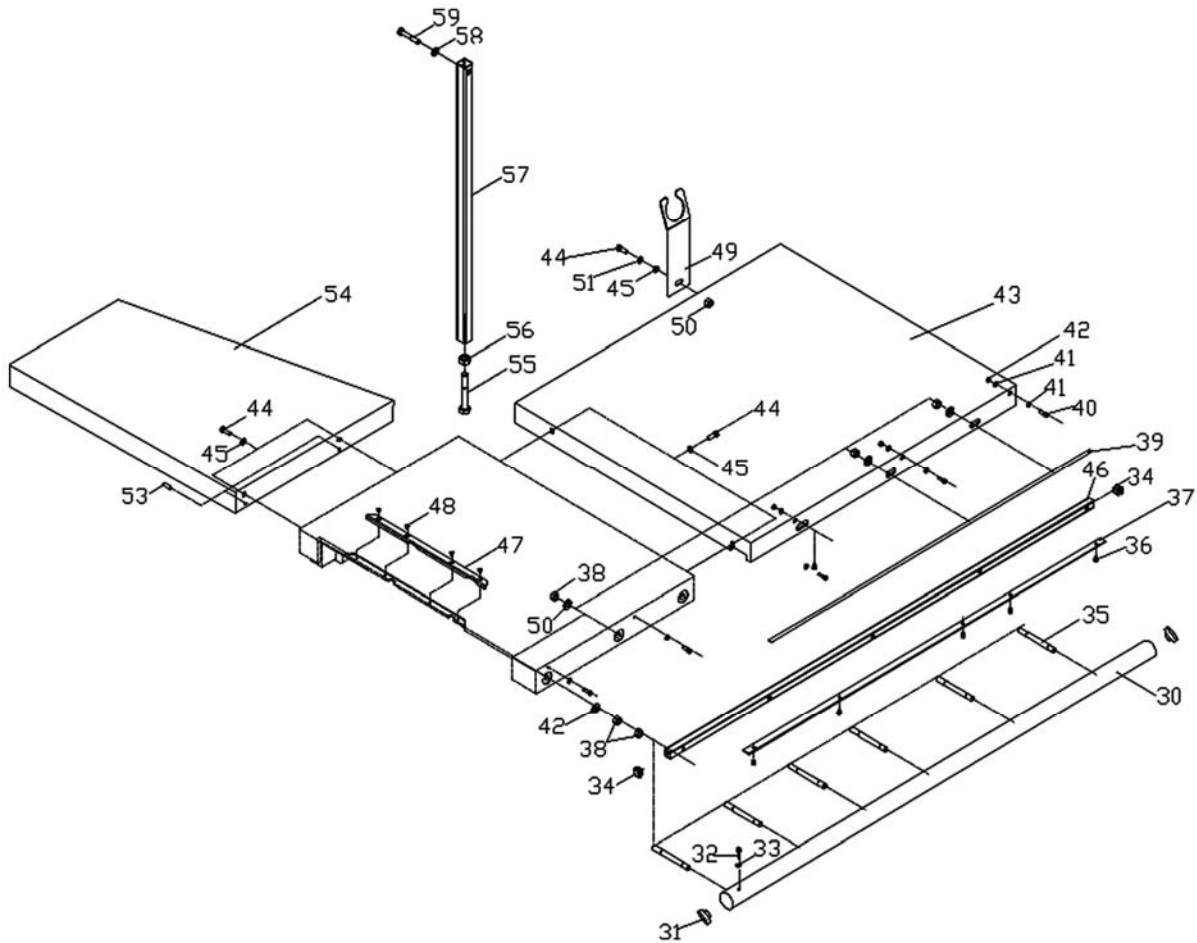
## Parts List For The JTSS-3000 Panel Saw Cabinet and Table assembly



## Table and Cabinet Assembly

Index No.	Part No.	Description	Size	Qty.
1	JTSS3000-101	Cabinet		1
2	JTSS1500-111	Main Table		1
3	TS-1550061	Flat Washer	M8	13
4	TS-1490041	Hex Cap Bolt	M8x25	4
5	JTSS3000-105	Switch Plate		1
6	JTSS3000-106	Switch Base		1
7	JTSS3000-107	Round Head Screw	M5x10	4
8	JTSS3000-108AE	Magnetic Switch Assembly	5.5Hp, 400V, 3Ph	1
	JTSS3000-108ORAE	Overload Relay (not shown)	5.5Hp, 400V, 3Ph	1
	JTSS3000-108CSAE	Contacting Switch (not shown)	400V, 3Ph	1
9	TS-1503041	Socket Head Cap Screw	M6x16	11
10	JTSS3000-110	Cover		1
11	JTSS3000-111	Scale Plate		1
12	TS-1503041	Socket Head Cap Screw	M6x16	10
13	JTSS3000-113	Adjustment Bolt Cover		2
14	TS-1503031	Socket Head Cap Screw	M6x12	8
15	JTSS3000-115	Motor Cover		1
16	JTSS3000-116	Socket Head Cap Screw		4
17	JTSS3000-117	Arbor Base (Lower)		1
18	JTSS3000-118	Arbor Base (Upper)		1
19	TS-1540081	Hex Nut	M12	18
20	TS-2360121	Flat Washer	M12	10
21	JTSS3000-121	Hex Cap Bolt	M14x30	6
22	JTSS3000-122	Hex Nut	M14	12
23	JTSS3000-123	Positioning Screw		2
24	JTSS3000-124	Up Down Label		1
25	JTSS3000-126	Clamp		7
26	JTSS3000-126	Switch Box		1
27	TS-1501051	Socket Head Set Screw	M4x16	4
28	JTSS3000-128	Emergency Stop Switch		1
29	JTSS3000-129	Phase Converter		1
30	JTSS3000-130	Clamp		6
31	JTSS3000-131	Scale Dust Cover		1
32	JTSS3000-132	Motor break Control box assembly		1
	JTSS3000-132TRE	Transformer for Break (not shown)		1
	JTSS3000-132BRE	Bridge rectifier for Break (not shown)		1
	JTSS3000-132FUE	Fuse 2A for Break (not shown)		2
33	JTSS3000-133	Blade Angle Label		1
34	JTSS3000-134	Pointer		1
35	JTSS3000-135	Dust Chute		1
50	JTSS1500-150	Push Stick		1
51	JTSS1500-151	Arbor index pin	ø 8mm	1
52	JTSS1500-152	Open end wrench	13mm	1
53	JTSS1500-153	Open end wrench	19mm	1
54	JTSS1500-154	Open end wrench	10-12mm	1
55	JTSS1500-155	Open end wrench	14-17mm	1
56	JTSS1500-156	Open end wrench	22-24mm	1
57	JTSS1500-157	T-style allen wrench	4mm	1
58	JTSS1500-158	T-style allen wrench	4mm	1

**Parts List For The JTSS-3000 Panel Saw  
Table Extension Assembly**



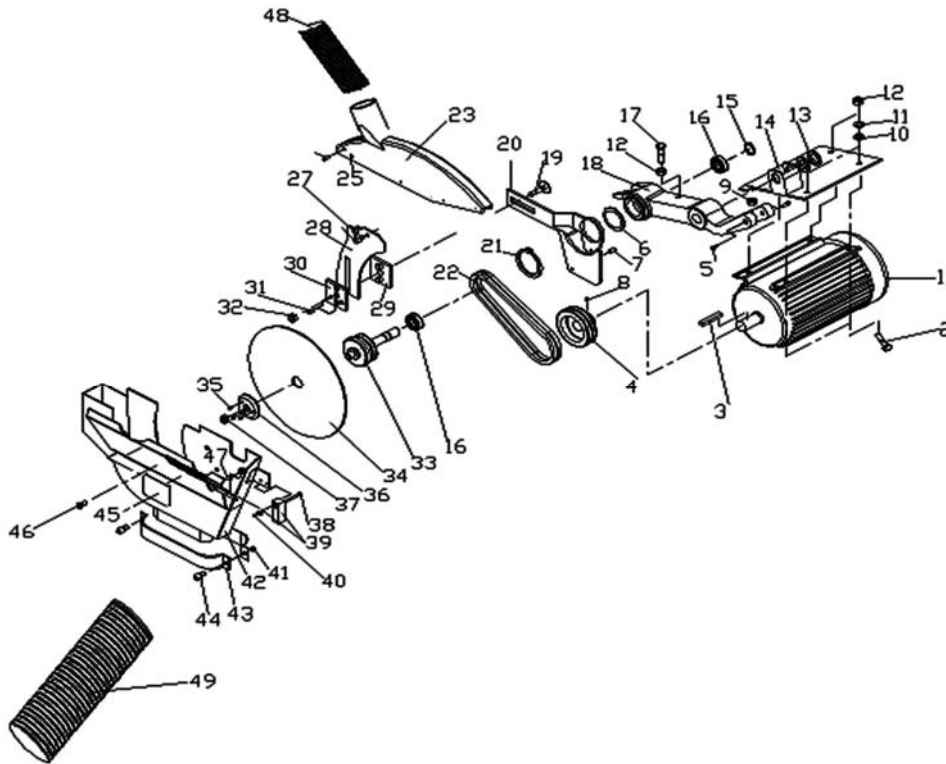
**Table Extension Assembly**

Index No.	Part No.	Description	Size	Qty.
30	JTSS3000-530	Rail		1
31	JTSS1500-137	Rubber Plug		2
32	TS-1503031	Socket Head Cap Screw	M6x12	10
33	JTSS1500-142	Eccentric Washer		1
34	JTSS1500-115	Gear Base Cover		2
35	JTSS1500-127	Socket Set Screw	M12x100	6
36	TS-1502011	Socket Head Cap Screw	M5x8	8
37	JTSS3000-537	Gear Strip		1
38	TS-2342121	Hex Nut	M12	21
39	JTSS3000-539	Scale		1

### Table Extension Assembly

Index No.	Part No.	Description	Size	Qty.
40	TS-1503051	Socket Head Cap Screw	M6x20	8
41	TS-1550041	Flat Washer	M6	10
42	TS-1540041	Hex Nut	M6	14
43	JTSS3000-544	Extension Table		1
44	TS-1504051	Socket Head Cap Screw	M8x25	4
45	TS-1550061	Flat Washer	M8	8
46	JTSS3000-547	Gear Base		1
47	JTSS1500-112	Table Insert		1
48	JTSS1500-134	Flat Head Screw	M5x10	4
49	JTSS1500-110	Hose Support		1
50	TS-1541031	Lock Nut	M8	6
51	TS-2361081	Lock Washer	M8	1
53	TS-1524061	Socket Set Screw	M8x25	4
54	JTSS1500	Extension Table		1
55	JTSS3000-555	Hex Cap Bolt	M16X100	1
56	TS-154010	Hex Nut	M16	2
57	JTSS3000-557	Extension Table Support		1
58	TS-1540071	Hex Nut	M10	8
59	TS-1550071	Flat Washer	M10	2
60	JTSS1500-560	Bushing		1

## Parts List For The JTSS-3000 Panel Saw Motor and Blade Guard Assembly



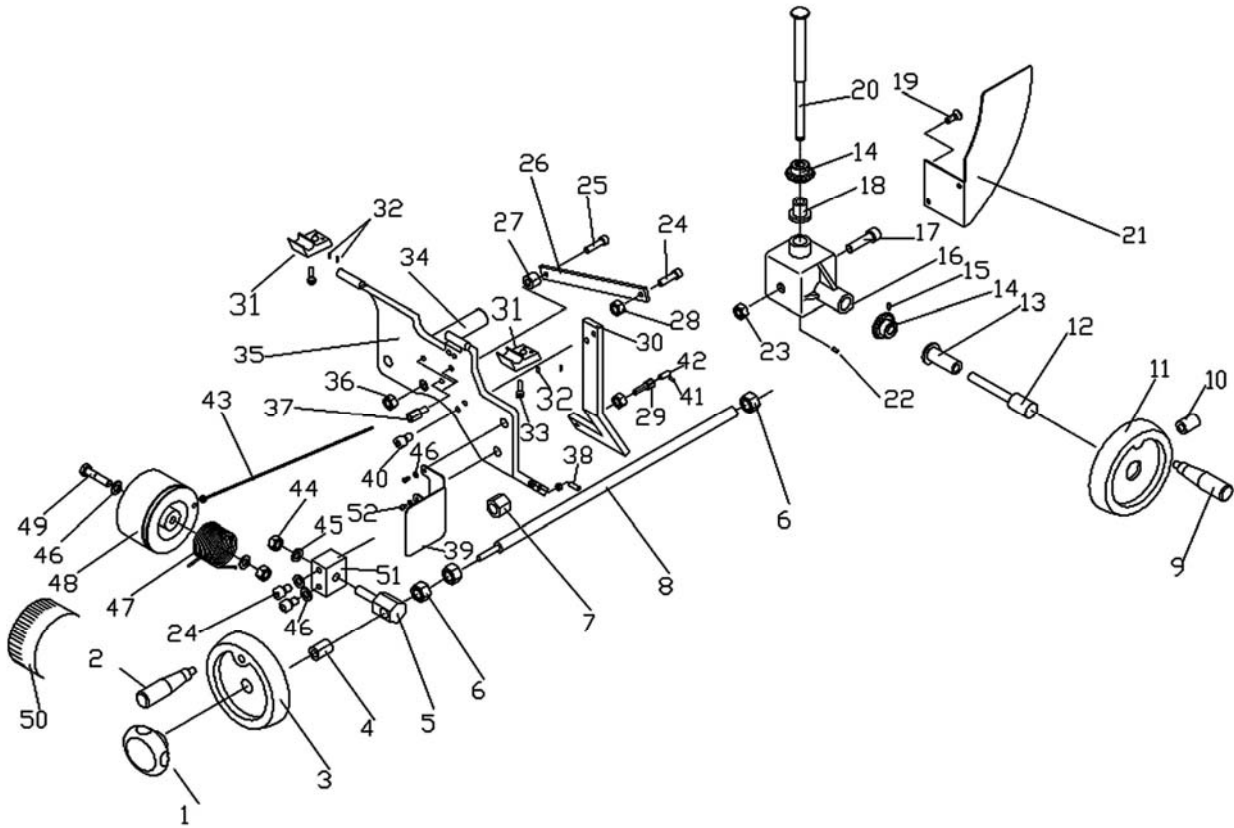
### Motor and Blade Guard Assembly

Index No.	Part No.	Description	Size	Qty.
1	JTSS3000-201AE	Motor	5.5Hp, 3Ph, 400V	1
	JTSS1500-MBA	Motor Break Assembly (not shown)		1
2	TS-1491021	Hex Cap Bolt	M10x20	4
3	JTSS1500-603	Key	6x6x30	1
4	JTSS1500-604	Pulley		1
5	TS-1504031	Socket Head Cap Screw	M8x16	3
6	JTSS1500-606	Wave Washer	ø 60	1
7	TS-1526011	Socket Set Screw	M12x1.75Px12	5
8	TS-2276101	Socket Set Screw	M6x10	2
9	JTSS1500-609	Square Nut		2
10	TS-1550071	Flat Washer	M10	8
11	TS-2361101	Lock Washer	M10	4
12	TS-1540071	Hex Nut	M10	8
13	JTSS1500-613	Bearing Nut		2
14	JTSS1500-614	Motor Plate		1
15	JTSS1500-615	Ring	STW-20	1

### Motor and Blade Guard Assembly

Index No.	Part No.	Description	Size	Qty.
16	BB-6004ZZ	Ball Bearing	6004ZZ	2
17	TS-1491061	Hex Cap Bolt	M10x40	1
18	JTSS1500-618	Rotate Part		1
19	JTSS1500-619	Carriage Bolt	M12x35	1
20	JTSS1500-620	Knife Base		1
21	JTSS1500-621	Ring	STW-60	1
22	JTSS1500-622	Belt	3VX-265	2
23	JTSS1500-623	Blade Guard		1
24	JTSS1500-624	Spring Pin	ψ6x30	1
25	TS-2311081	Hex Nut	M8	5
27	JTSS1500-627	Adjust Lever	M8x30	1
28	JTSS1500-628	Knife		1
29	JTSS1500-629	Knife Cover		1
30	JTSS1500-630	Cover Fix Block		1
31	TS-1524011	Socket Set Screw	M8x8	4
32	JTSS1500-632	Lock Nut	M12	2
33	JTSS1500-633	Blade Arbor		1
34	JTSS1500-634	Blade		1
35	JTSS1500-635	Spring Pin	ψ4x12	2
36	JTSS1500-636	Flange		1
37	JTSS1500-637	Hex Nut	M12x1.75P(LT)	1
38	TS-1540021	Hex Nut	M4	2
39	JTSS1500-639	Limit Switch		1
40	JTSS1500-640	Flat Head Screw	M4x40	2
41	TS-1540041	Hex Nut	M6	14
42	JTSS1500-642	Dust Cover		1
43	JTSS1500-643	Clip		2
44	TS-1503061	Socket Head Cap Screw	M6x25	2
45	JTSS1500-645	Stop Block		1
46	JTSS1500-646	Flat Head Screw	M8x20	3
47	JTSS1500-647	Magnet		1
48	JTSS1500-648	Dust tube dia. 60mm		1
49	JTSS1500-649	Dist tube dia. 100mm		1

## Parts List For The JTSS-3000 Panel Saw Turning Assembly



### Turning Assembly

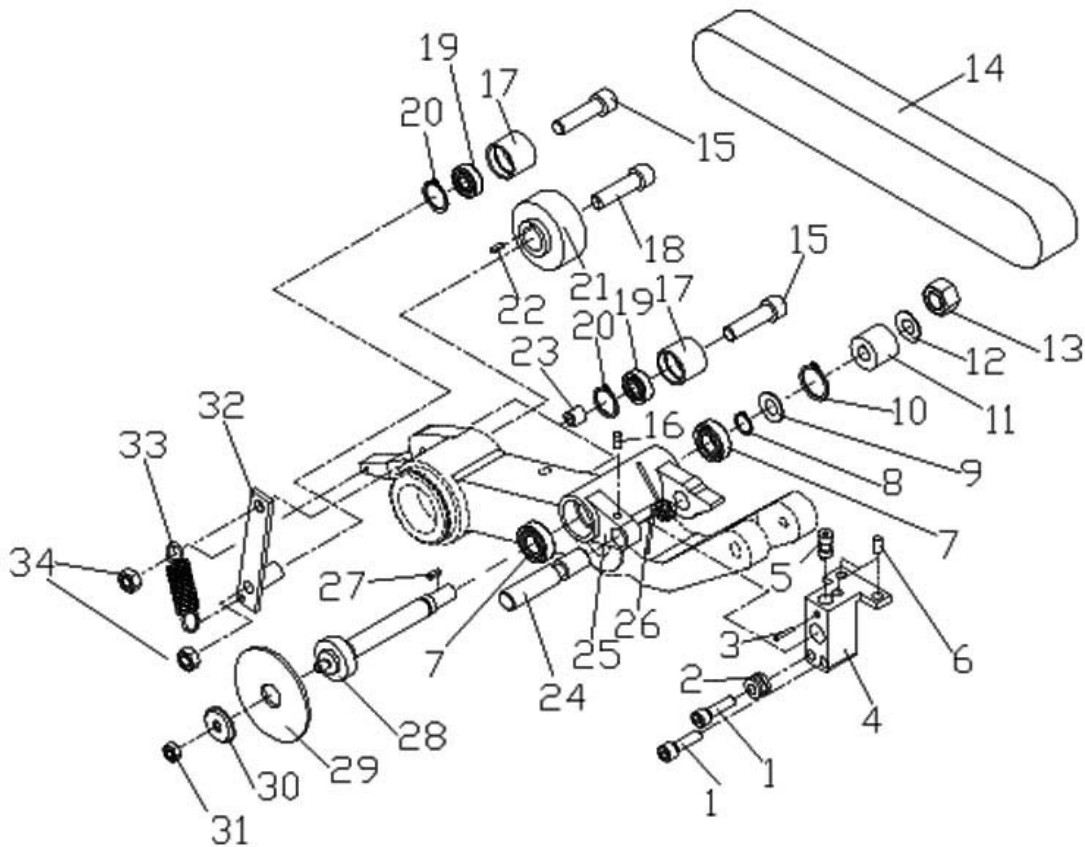
Index No.	Part No.	Description	Size	Qty.
1	JTSS1500-401	Knob Nut	M10x1.5	1
2	JTSS1500-402	Handle		1
3	JTSS1500-403	Hand Wheel		1
4	JTSS1500-404	Hand Wheel Pad		1
5	JTSS1500-405	Fix Arbor		1
6	JTSS1500-406	Square Nut		3
7	JTSS1500-407	Square Nut		2
8	JTSS1500-408	Screw		1
9	JTSS1500-409	Handle		1
10	JTSS1500-410	Socket Set Screw	M8x14	1
11	JTSS1500-411	Handle Wheel		1
12	JTSS1500-412	Handle Wheel Arbor		1
13	JTSS1500-413	Copper Sleeve		1
14	JTSS1500-414	Gear		2
15	TS-0267021	Socket Set Screw	1/4"x1/4"	2
16	JTSS1500-416	Gear Box		1
17	JTSS1500-417	Hex Cap Bolt	M16x2.0Px40	1
18	JTSS1500-418	Copper Sleeve		1
19	TS-1514021	Socket Head Flat Screw	M6x16	32



## Turning Assembly

Index No.	Part No.	Description	Size	Qty.
20	JTSS1500-420	Worm		1
21	JTSS1500-421	Upper Cover		1
22	JTSS1500-422	Pin	ø 3x24	1
23	JTSS1500-423	Lock Nut	M16	1
24	TS-1504061	Socket Head Cap Screw	M8x30	3
25	TS-1504031	Socket Head Cap Screw	M8x16	1
26	JTSS1500-426	Crank		1
27	JTSS1500-427	Pulley Pad		
28	TS-2311081	Hex Nut	M8	5
29	JTSS1500-429	Gather Bolt		1
30	JTSS1500-430	Gather Shaft		1
31	JTSS1500-431	Rotate Part Fix		2
32	JTSS1500-432	Pin	ø 3x20	4
33	TS-1504041	Socket Head Cap Screw	M8x20	2
34	JTSS1500-434	Body Arbor		1
35	JTSS1500-435	Body		1
36	TS-1541031	Lock Nut	M8x1.25P	4
37	JTSS1500-437	Cover Sport		3
38	TS-1523071	Socket Set Screw	M6x25	2
39	JTSS1500-439	Cover		1
40	TS-1505031	Socket Head Cap Screw	M10x25	2
41	TS-1501031	Socket Set Screw	M4x10	1
42	JTSS1500-442	Steel Rope Jacket		1
43	JTSS1500-443	Steel Rope		1
44	TS-2342121	Lock Nut	M12	3
45	TS-2360121	Flat Washer	M12	11
46	TS-1550061	Flat Washer	M8	9
47	JTSS1500-447	Spring		1
48	JTSS1500-448	Steel Rope Wheel		1
49	JTSS1500-449	Hex Cap Bolt	M8x75	1
50	JTSS1500-450	Scale Label		1
51	JTSS1500-451	Fix Arbor Nut		1
52	TS-1502021	Socket Head Cap Screw	M5x10	2

**Parts List For The JTSS-3000 Panel Saw  
Scoring Assembly**



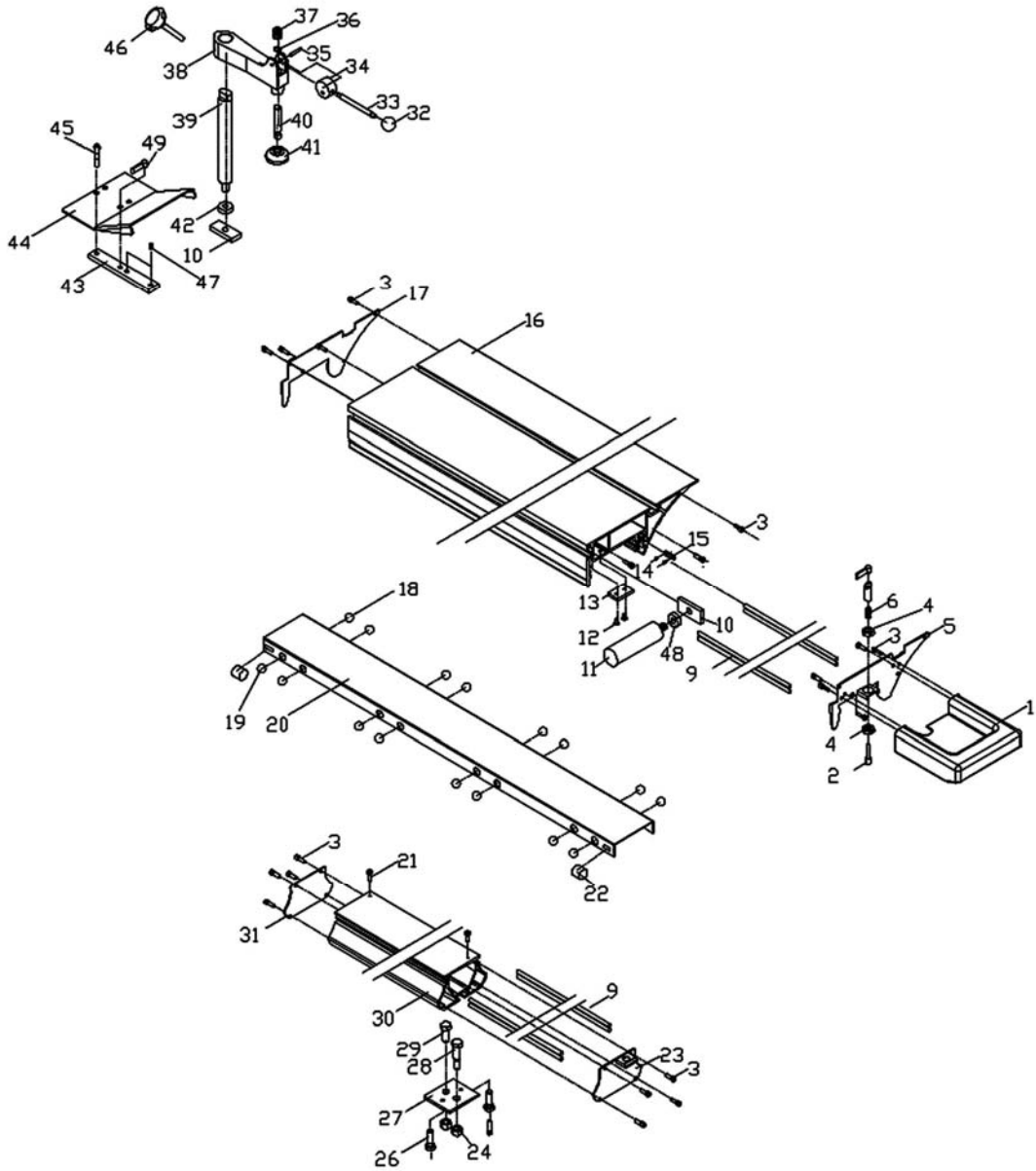
**Scoring Assembly**

Index No.	Part No.	Description	Size	Qty.
1	TS-1504071	Socket Head Cap Screw	M8x35	2
2	JTSS1500-302	Sleeve		1
3	TS-1522031	Socket Set Screw	M5x10	1
4	JTSS1500-304	Link Shaft Fix Base		1
5	JTSS1500-305	Adjustment Screw		1
6	TS-1524061	Socket Set Screw	M8x25	3
7	BB-6002ZZ	Ball Bearing	6002	2
8	JTSS1500-308	Ring	STW-15	1
9	JTSS1500-309	Lock Washer	M15	2
10	JTSS1500-310	Ring	RTW-32	2
11	JTSS1500-311	Blade Pulley		1
12	TS-1550061	Flat Washer	M8	9
13	JTSS1500-313	Nut	M8x1.25 (LT)	1
14	JTSS1500-314	Belt		1
15	JTSS1500-315	Socket Head Cap Screw	M10X55	3
16	TS-1502021	Socket Set Screw	M5x10	2
17	JTSS1500-317	Pulley		3
18	TS-1504051	Socket Head Cap Screw	M8x25	1
19	BB6000	Ball Bearing	6000	3

### Scoring Assembly

Index No.	Part No.	Description	Size	Qty.
20	JTS1500-320	Ring	RTW-26	3
21	JTSS1500-321	Blade Pulley		1
22	JTSS1500-322	Key	6x6x20	1
23	JTSS1500-323	Pulley Pad		4
24	JTSS1500-324	Blade Link Shaft Arbor		1
25	JTSS1500-325	Blade Link Shaft		1
26	JTSS1500-326	Spring		1
27	JTSS1500-327	Key	4x4x10	1
28	JTSS1500-328	Blade Arbor		1
29	JTSS1500-329	Scoring Blade	ø80/ ø20mm	1
30	JTSS1500-330	Flange		1
31	JTSS1500-331	Nylon Nut	M8x1.25P	4
32	JTSS1500-332	Pulley Support		1
33	JTSS1500-333	Spring		1
34	JTSS1500-334	Nylon Nut	M10x1.5P	2

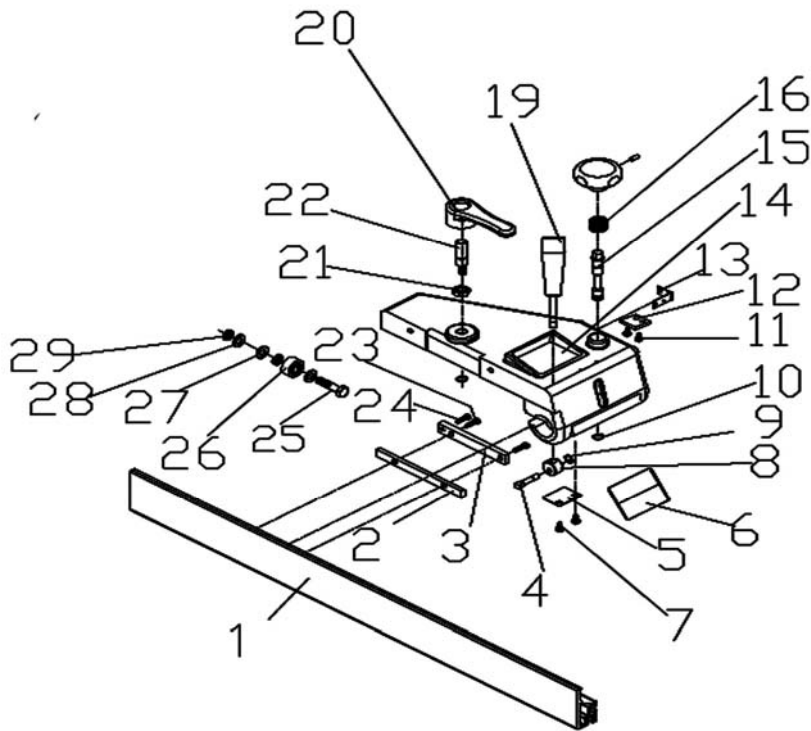
## Parts List For The JTSS-3000 Panel Saw Sliding Table Assembly



## Sliding Table Assembly

Index No.	Part No.	Description	Size	Qty.
1	JTSS1500-231	Sliding Table Handle		1
2	JTSS1500-232	Round Block		1
3	TS-1503041	Socket Head Cap Screw	M6x1.0Px16	20
4	TS-2310162	Hex Nut	M16	2
5	JTSS1500-234	Sliding Table Handle Cover		1
6	JTSS1500-228	Index pin Assembly		1
9	JTSS3000-409	Track Strip		8
10	JTSS3000-410	Push Board Block		2
11	JTSS3000-411	Push Handle		1
12	JTSS3000-412	Flat Head Screw	M8x16	4
13	JTSS3000-413	Rubber Plate		2
14	TS-1482031	Hex Cap Bolt	M6x16	20
15	JTSS3000-415	Adjust Shaft		2
16	JTSS3000-416	Sliding Table		1
17	JTSS3000-417	Slide Table End Cover		1
18	JTSS3000-418	Steel Ball	ø17.5	8
19	JTSS3000-419	Steel Ball	ø18.1	8
20	JTSS3000-420	Steel Ball Base		1
21	TS-1503031	Socket Head Cap Screw	M6x12	2
22	JTSS3000-422	Steel Ball Base Sponge		4
23	JTSS3000-423	Sliding Base Cover		1
24	TS-2310142	Hex Nut	M14	12
26	JTSS3000-426	Screw Sleeve		6
27	JTSS3000-427	Adjustment Plate		3
28	JTSS3000-428	Hex Cap Bolt	M14x40	3
29	JTSS3000-429	Hex Cap Bolt	M14x30	3
30	JTSS3000-430	Sliding Base		1
31	JTSS3000-431	Sliding Base Cover		1
32	JTSS3000-432	Ball Handle		1
33	JTSS3000-433	Handle		1
34	JTSS3000-434	Cam		1
35	JTSS3000-435	Spring Pin	ø5x30	1
36	JTSS3000-436	Push Board Spring		1
37	JTSS3000-437	Ring		1
38	JTSS3000-438	Push Board		1
39	JTSS3000-439	Push Board Arbor		1
40	JTSS3000-440	Push Plate Arbor		1
41	JTSS3000-441	Push Plate		1
42	JTSS3000-442	Push Bushing		1
43	JTSS3000-443	Stop Board Block		1
44	JTSS3000-444	Stop Board		1
45	TS-1491021	Hex Cap Bolt	M10X20	1
46	JTSS3000-446	JET Knob	M8x20	1
47	JTSS3000-447	Socket Set Screw	M10x10	2
48	JTSS3000-448	Plastic Washer		1
49	JTSS3000-449	Adjust Lever	M10x20	1
	JTSS3000-571	Workpiece Hold-down Assembly (10, 32-42, 46)		

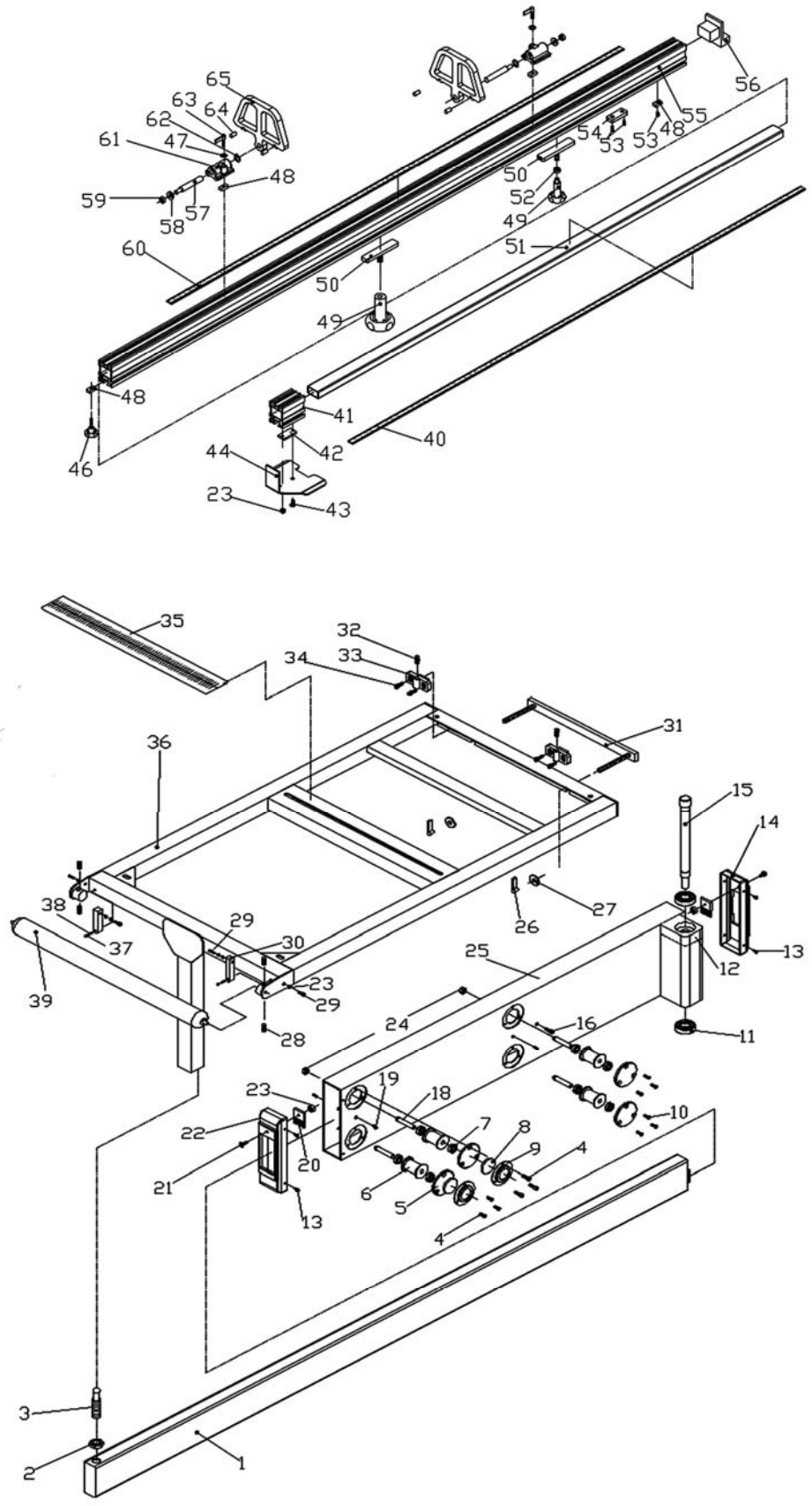
**Parts List For The JTSS-3000 Panel Saw  
Rip Fence Assembly**



**Rip Fence Assembly**

Index No.	Part No.	Description	Size	Qty.
1	JTSS1500-501	Rip Fence Profile		1
2	JTSS1500-502	Lock Block (Long)		1
3	JTSS1500-503	Lock Block (Short)		1
4	JTSS1500-504	Eccentric Arbor		1
5	JTSS1500-505	Push Board		1
6	JTSS1500-506	Label		1
7	JTSS1500-507	Round Head Screw	M5x8	2
8	JTSS1500-508	Eccentric Wheel		1
9	JTSS1500-509	Ring	STW-8	1
10	JTSS1500-510	Ring	STW-16	2
11	JTSS1500-511	Round Head Screw	M4x0.7Px6	2
12	JTSS1500-512	Indicator		1
13	JTSS1500-513	Connect Plate		1
14	JTSS1500-514	Smooth Base		1
15	JTSS1500-515	Gear Arbor		1
16	JTSS1500-516	Spring		1
19	JTSS1500-519	Rubber Handle		1
20	JTSS1500-520	Handle		1
21	JTSS1500-521	Bushing		1
22	JTSS1500-522	Eccentric		1
23	TS-1490111	Hex Cap Bolt	M8x60	2
24	TS-1490051	Hex Cap Bolt	M8x30	1
25	TS-1492051	Hex Cap Bolt	M12x50	1
26	JTSS1500-526	Wheel		1
27	JTSS1500-527	Hex Nut	M12x1.25P	16
28	JTSS1500-528	Star Washer	ø12	2
29	JTSS1500-529	Lock Nut	M12x1.25P	3
	JTSS1500-RFA	Rip Fence Assembly (2-29)		

### Parts List For The JTSS-3000 Panel Saw Cross Cut Table Assembly



## Cross Cut Table Assembly

Index No.	Part No.	Description	Size	Qty.
1	JTSS3000-301	Extension Sliding		1
2	JTSS3000-302	Hex Nut	M20xP2.5	1
3	JTSS3000-303	Sliding Arm Arbor		1
4	JTSS3000-304	Flat Head Screw	M5x8	6
5	JTSS3000-305	Rotate Arbor Support		4
6	JTSS3000-306	Eccentric Wheel		2
7	JTSS3000-307	Ball Bearing	6901ZZ	4
8	JTSS3000-308	Magnet		2
9	JTSS3000-309	Magnet Base		2
10	JTSS3000-310	Flat Head Screw	M5x8	6
11	BB-6204ZZ	Ball Bearing	6204ZZ	2
12	JTSS3000-312	Bearing Base		2
13	JTSS3000-313	Flat Head Screw	M5x8	10
14	JTSS3000-314	Sliding Arm Cover		1
15	JTSS3000-315	Arm Arbor		1
16	TS-1524061	Socket Set Screw	M8x10	3
18	JTSS3000-318	Eccentric Arbor		2
19	JTSS3000-319	Nylon Set Screw	M12x12	4
20	JTSS3000-320	Brush		2
21	TS-1503041	Socket Head Cap Screw	M6x16	16
22	JTSS3000-322	Sliding Arm Cover-Front		1
23	TS-1540041	Hex Nut	M6	8
24	TS-2311101	Hex Nut	M10	2
25	JTSS3000-325	Support Arm		1
26	JTSS3000-326	Adjust Lever		2
27	TS-1550071	Flat Washer	M10	4
28	TS-1523011	Socket Set Screw	M6x6	4
29	TS-1503061	Socket Head Cap Screw	M6x25	5
30	JTSS3000-330	Stop Block		2
31	JTSS3000-331	Lock Board		1
32	TS-1524051	Socket Set Screw	M8x20	2
33	JTSS3000-333	Support Adjustment Block		2
34	TS-1523021	Socket Head Cap Screw	M6x10	6
35	JTSS3000-335	Angle Label		1
36	JTSS3000-336	Cross Cut Table		1
37	TS-1503061	Socket Head Cap Screw	M6x25	2
38	JTSS3000-338	Wave Washer		4
39	JTSS3000-339	Work Table Roller		1
40	JTSS3000-340	Scale		1
41	JTSS3000-341	Cross Cut Fence		1
42	JTSS3000-342	Fix Plate		1
43	JTSS3000-343	Round Head Screw	M6x25	2
44	JTSS3000-344	Cover Plate		1
46	JTSS3000-346	JET Knob	M6x35	3
47	TS-1540041	Flat Washer	M6	3
48	JTSS3000-348	Set Nut		4
49	JTSS3000-349	Knob	M10x90	2



### Cross Cut Table Assembly

Index No.	Part No.	Description	Size	Qty.
50	JTSS3000-350	Fix Block		1
51	JTSS3000-351	Scale Tube		1
52	JTSS3000-352	Bushing		2
53	TS-1523011	Socket Set Screw	M6x6	2
54	JTSS3000-354	Fix Block		1
55	JTSS3000-355	Cross Cut Fence		1
56	JTSS3000-356	End Plug FOR Cross Cut Fence		1
57	JTSS3000-357	Clamping Shaft		2
58	TS-1550061	Flat Washer	M8	2
59	TS-1540031	Lock Nut	M8	5
60	JTSS3000-360	Scale		1
61	JTSS3000-361	Clamping Bracket		2
62	TS-1550041	Flat Washer	M6	2
63	JTSS3000-363	Adjust Lever	M6x35	2
64	JTSS3000-364	Clamping Rubber Pad		4
65	JTSS3000-365	Clamping		2
	JTSS3000-570	Crosscut Stop Assembly (47, 48, 57-59, 61-65)		

**JTSS-3000  
1000030T**

	colour of strands	Litzenfarben	couleur des cordons
BK	black	schwarz	noir
BU	blue	blau	bleu
BN	brown	braun	brun
RD	Red	rot	rouge
GNYE	green-yellow	grün-gelb	vert-jaune

	meaning of symbol	Bedeutung der Zeichen	interprétation
M	main motor	Hauptmotor	moteur principal
S1	emergency stop switch	Not-Aus Schalter	arrêt d'urgence
S2	off switch	Aus-Schalter	bouton arrêt
S3	start switch	Ein-Schalter	bouton marche
KM1	contactor for main motor	Hauptschütz	contacteur moteur
F	fuse	Sicherung	fusible
BR	Bridge rectifier	Brückengleichrichter	rectifier
TR	transformer	Transformator	transformateur
LS	limit switch	Positionsendschalter	micro

**400/50/3**

