

JET

JMS-10

Miter Saw

10000820M/U
230/50-60/1

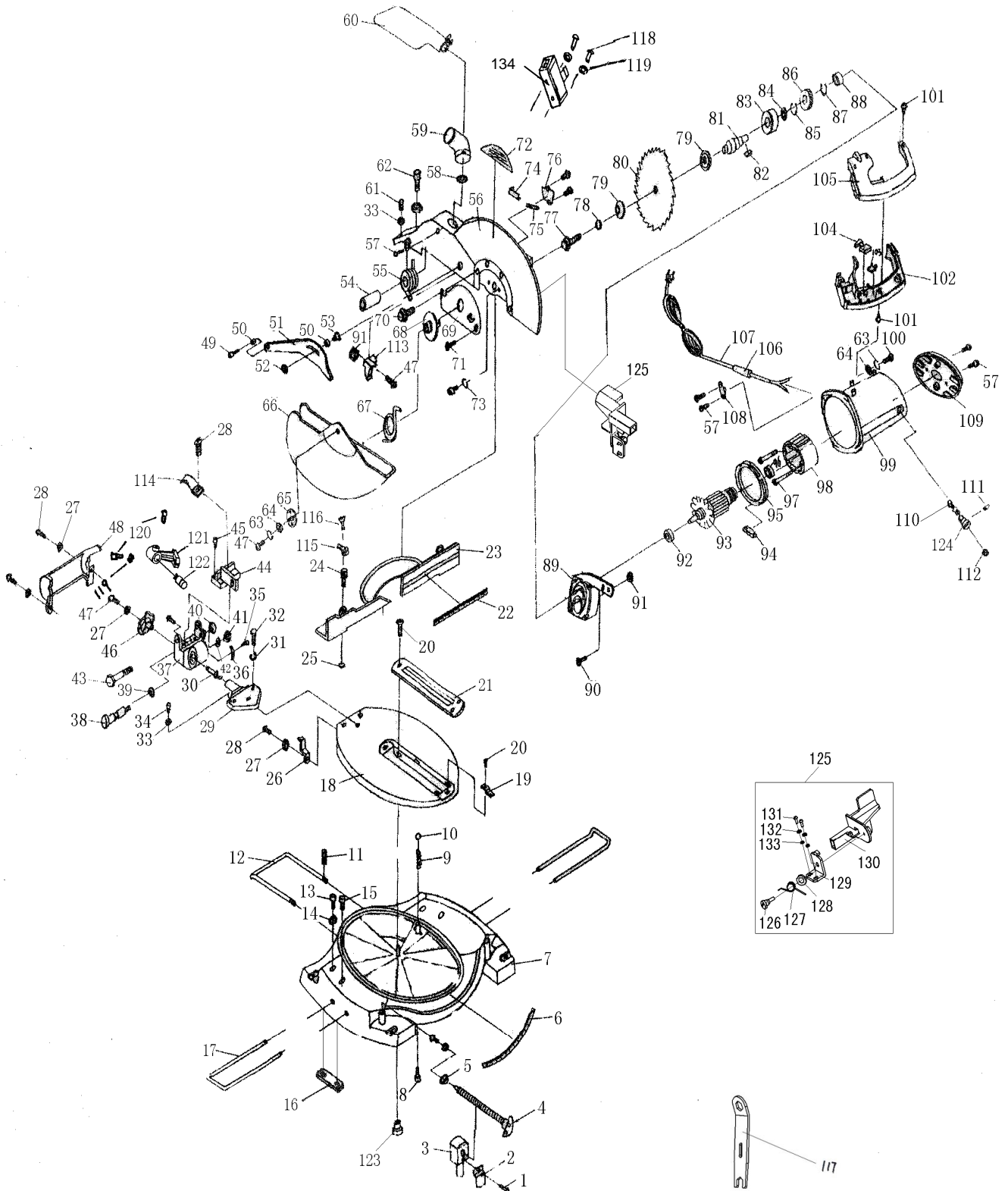
PARTS LIST

Walter Meier (Fertigung) AG
Bahnstrasse 24
8603 Schwerzenbach
Switzerland
Phone +41 44 806 47 48
Fax +41 44 806 47 58
jetinfo.eu@waltermeier.com
www.jettools.com

P-10000820M/U 2009/08/31



Parts Breakdown For JMS-10 Miter Saw



Parts List For JMS-10 Miter Saw

Index No.	Part No.	Description	Size	Qty.
1	JMS10-001	Screw	M5X8	1
2	JMS10-002	Angle board		1
3	JMS10-003	Nut		1
4	JMS10-004	Knob		1
5	JMS10-005	Press board		1
6	JMS10-006	Scale		1
7	JMS10-007	Base		1
8	JMS10-008	Screw	M10X10	1
9	JMS10-009	Compression spring		1
10	JMS10-010	Steel ball	• 8	1
11	JMS10-011	Spring pin	• 3x20	1
12	JMS10-012	Balance support		1
13	JMS10-013	Screw	M8x30	2
14	JMS10-014	Flat washer	8	2
15	JMS10-015	Screw	M8x25	2
16	JMS10-016	Joint board		2
17	JMS10-017	Extension wing		2
18	JMS10-018	Work table		1
19	JMS10-019	Pointer		1
20	JMS10-020	Screw	M4x8	4
21	JMS10-021	Table insert		1
22	JMS10-022	Length scale		1
23	JMS10-023	Fence		1
24	JMS10-024	Screw		2
25	JMS10-025	Position plate		2
26	JMS10-026	Angle pointer		1
27	JMS10-027	Flat washer	5	4
28	JMS10-028	Screw	M5x8	4
29	JMS10-029	Bracket		1
30	JMS10-030	Lock pole		1
31	JMS10-031	Spring washer	• 8	3
32	JMS10-032	Screw	M8x25	3
33	JMS10-033	Nut	M6	2
34	JMS10-034	Screw	M6x20	2
35	JMS10-035	Rivet	• 2x3	2
36	JMS10-036	Angle scale		1
37	JMS10-037	Angle base		1
38	JMS10-038	Pin		1
39	JMS10-039	"O" seal	6.7x1.8	1
40	JMS10-040	Knob		1
41	JMS10-041	Nut	M16	1
42	JMS10-042	Flat washer		1
43	JMS10-043	Joint shaft		1
44	JMS10-044	Bracket		1
45	JMS10-045	Screw	M6x15	2
46	JMS10-046	Knob		1
47	JMS10-047	Screw	M5x12	2
48	JMS10-048	Arm guard		1
49	JMS10-049	Screw		1
50	JMS10-050	Bush		2
51	JMS10-051	Push pole		1
52	JMS10-052	Nut	M6	1
53	JMS10-053	Screw B		1
54	JMS10-054	Bush B		1
55	JMS10-055	Torque spring		1
56	JMS10-056	Body		1
57	JMS10-057	Screw	ST4.2x10	5
58	JMS10-058	Ring		1
59	JMS10-059	Dust port		1
60	JMS10-060	Dust package		1
61	JMS10-061	Screw	M6x20	1
62	JMS10-062	Screw	M10x40	1
63	JMS10-063	Spring washer	5	5
64	JMS10-064	Flat washer	5	5
65	JMS10-065	Press plate		1
66	JMS10-066	Blade guard		1
67	JMS10-067	Torque spring B		1

Parts List For JMS-10 Miter Saw

Index No.	Part No.	Description	Size	Qty.
68	JMS10-068	Guard fixed plate A		1
69	JMS10-069	Guard fixed plate B		1
70	JMS10-070	Screw		1
71	JMS10-071	Screw C		1
72	JMS10-072	Logo label		1
73	JMS10-073	Spring washer	6	4
74	JMS10-074	Lock plate		1
75	JMS10-075	Lock spring		1
76	JMS10-076	Lock press plate		1
77	JMS10-077	Screw	M8x25L	1
78	JMS10-078	Big washer		1
79	JMS10-079	Splint		2
80	JMS10-080	Blade	• 254x3x40Z	1
81	JMS10-081	Out shaft		1
82	JMS10-082	Key	5x10	1
83	JMS10-083	Bearing	6304-2RZ	1
84	JMS10-084	Washer		1
85	JMS10-085	Ring	• 20	1
86	JMS10-086	Gear		1
87	JMS10-087	Ring	• 6	1
88	JMS10-088	Oil bearing		1
89	JMS10-089	Front cover		1
90	JMS10-090	Screw	M5x10	4
91	JMS10-091	Nut	M5	2
92	JMS10-092	Bearing	6200-2RZ	1
93	JMS10-093	Rotor		1
94	JMS10-094	Wire nip		1
95	JMS10-095	Wind board		1
96	JMS10-096	Bearing	6201	1
97	JMS10-097	Screw	M5x70	2
98	JMS10-098	Stator		1
99	JMS10-099	Motor housing		1
99A	JMS10-099A	Motor and gear assembly (No 81-109)		1
100	JMS10-100	Screw	M5x25	4
101	JMS10-101	Screw	ST4.2x18	5
102	JMS10-102	Handle low cover		1
103	JMS10-103	Capacitor		1
104	JMS10-104	Switch		1
105	JMS10-105	Handle upper cover		1
106	JMS10-106	Cable sleeve		1
107	JMS10-107	Power supply cord		1
108	JMS10-108	Strain relief		1
109	JMS10-109	Motor cover		1
110	JMS10-110	Carbon brush		2
111	JMS10-111	Screw	M5x10	2
112	JMS10-112	Carbon brush cap		2
113	JMS10-113	Low guard		1
114	JMS10-114	Torque spring guard		1
115	JMS10-115	Knob		2
116	JMS10-116	Screw	M4x8	2
117	JMS10-117	Blade wrench		1
118	JMS10-118	Screw	M4x12	2
119	JMS10-119	Flat washer	4	3
120	JMS10-120	Screw	M4x15	2
121	JMS10-121	Laser holder		1
122	JMS10-122	Laser		1
123	JMS10-123	Rubber feet		4
124	JMS10-124	Brush holder		2
125	JMS10-125	Guard lock assembly		1
126	JMS10-126	Screw		1
127	JMS10-127	Torsion Spring		1
128	JMS10-128	Washer		1
129	JMS10-129	Support plate		1
130	JMS10-130	Guard lock		1
131	JMS10-131	Pan screw	M4X8	2
132	JMS10-132	Spring washer	4	2
133	JMS10-133	Flat washer	4	2
134	JMS10-134	Battery compartment assembly		1

