

JET

MBS-910VS Metal Working Bandsaw

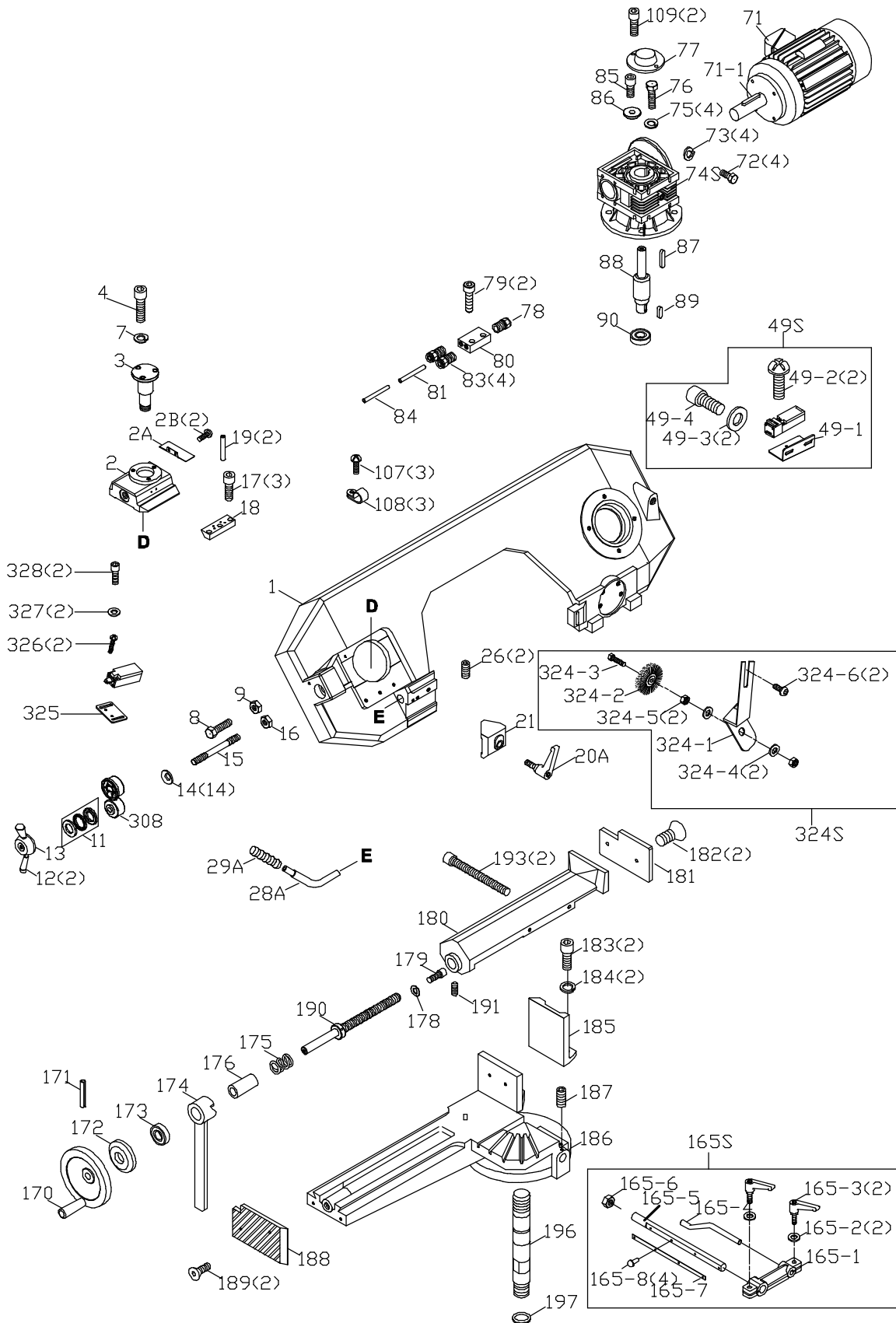
**50000340M
230/50/1**

PARTS LIST

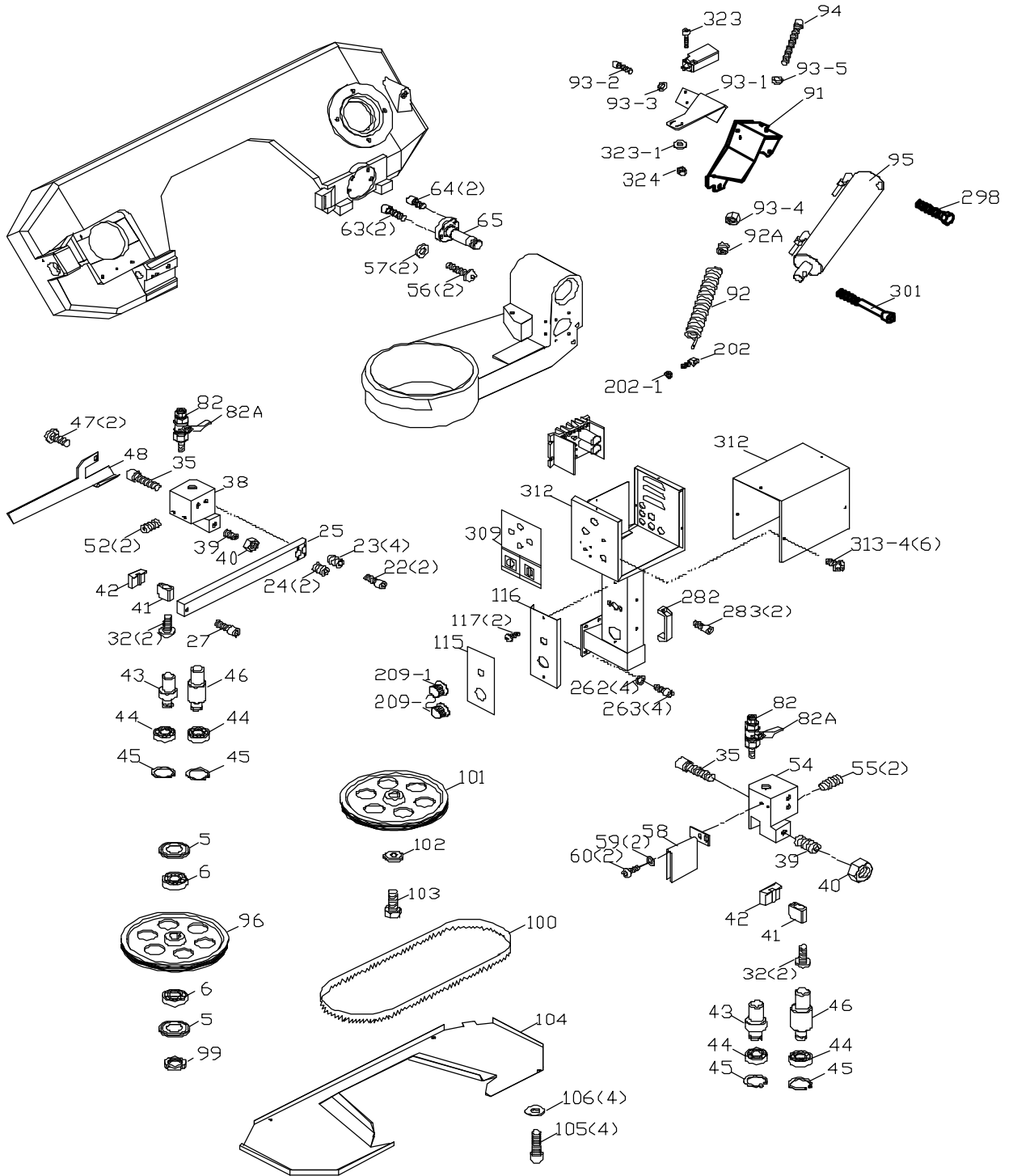
Walter Meier (Tool) AG
Tämperlistrasse 5
CH-8117 Fällanden
Switzerland
Phone +41 44 806 47 48
Fax +41 44 806 47 58
jetinfo.eu@waltermeier.com
www.jettools.com



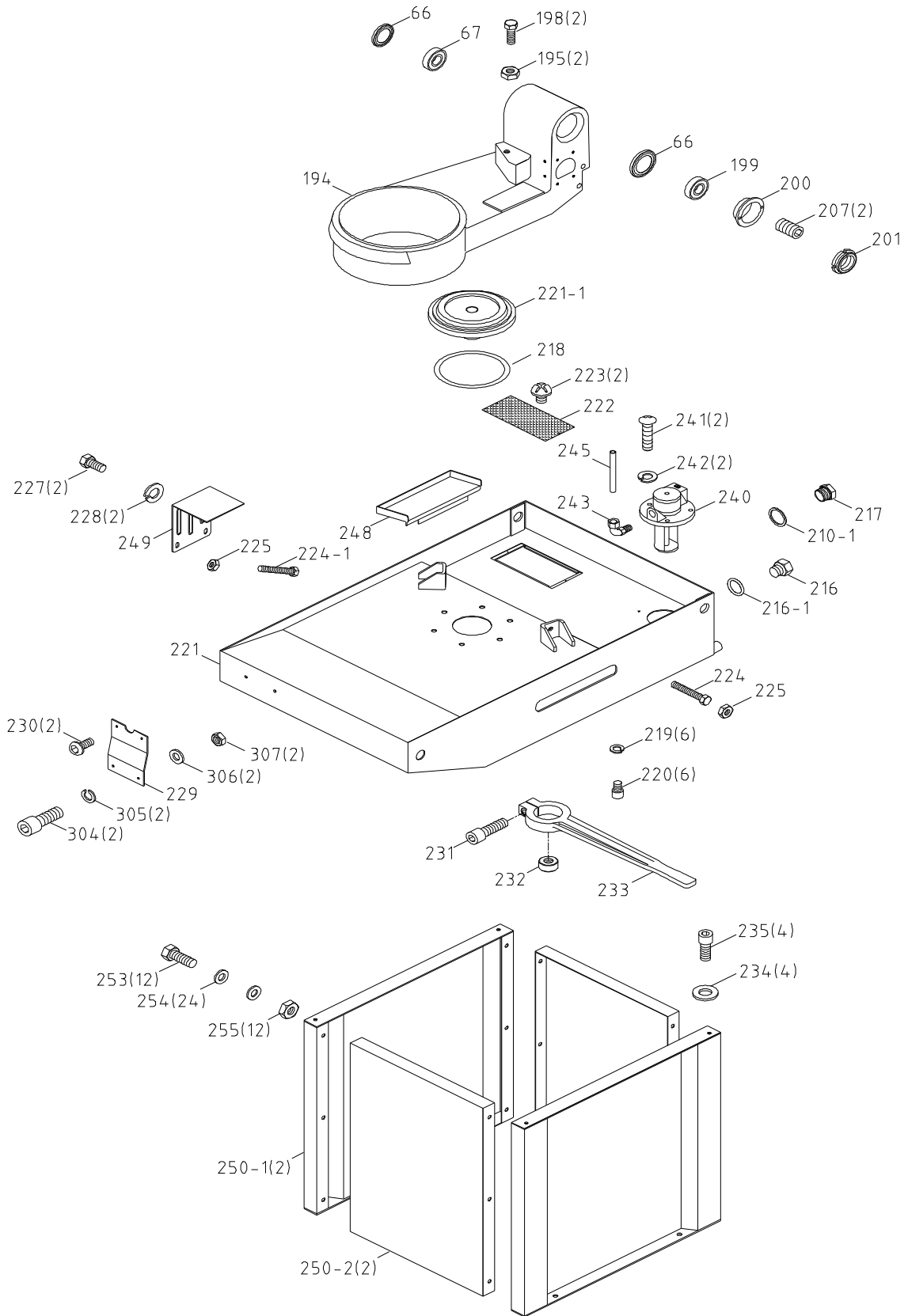
Breakdown for the MBS910VS Transmission Assembly



Breakdown for the MBS910VS Transmission Assembly



Breakdown for the MBS910VS Transmission Assembly



**Parts List for the MBS910VS
Transmission & Head Assembly**

Index No.	Part No.	Description	Size	Qty.
1.....	MBS910VS-01.....	Body Frame.....		1
2.....	MBS910VS-02.....	Anchor Block.....		1
2A.....	MBS910VS-02A.....	Anchor Plate.....		1
2B.....	MBS708CS-02B.....	Round Head Screw.....	M5X10L.....	2
3.....	MBS910VS-03.....	Shaft.....		1
4.....	TS-1504061.....	Socket Head Cap Screw.....	M8X30L.....	3
5.....	MBS910VS-05.....	Anti-Chip Cover.....		2
6.....	MBS910VS-06.....	Tapered Bearing.....		2
7.....	TS-2361081.....	Locking Washer.....	M8.....	3
8.....	TS-1490081.....	Hex. Head Screw.....	M8X45L.....	1
9.....	TS-1540061.....	Hex. Nut.....	M8.....	1
11.....	MBS708CS-11.....	Bearing.....		1
12.....	MBS708CS-12.....	Knob.....		2
13.....	MBS708CS-13.....	Blade Tension Handle.....		1
14.....	MBS708CS-14.....	Spring Washer.....	øID16.3Xø31.5X1.8t.....	14
15.....	MBS910CS-15A.....	Lead screw.....		1
16.....	TS-1540100.....	Hex. Nut.....	M16.....	1
17.....	TS-1504051.....	Hex. Socket Head Screw.....	M8X25.....	3
18.....	MBS708CS-18.....	Fixed Block.....		1
19.....	MBS708CS-19.....	Pin.....	ø 5X40.....	2
20A.....	MBS910CS-20A.....	Locking Lever.....	M10x52.....	1
21.....	MBS910CS-21.....	Fixed Block.....		1
22.....	TS-1504041.....	Socket Head Cap Screw.....	M8X20.....	2
23.....	TS-1523051.....	Hex. Socket Headless Screw.....	M6X15.....	4
24.....	TS-1523061.....	Socket Set Screw.....	M6X20.....	2
25.....	MBS910CS-25.....	Blade adjust stick.....		1
26.....	TS-1524021.....	Socket Set Screw.....	M8X10.....	2
27.....	TS-1523031.....	Socket Head Cap Screw.....	M6X10.....	1
28A.....	MBS9108CS-28A.....	Connecting Tube.....		1
29A.....	MBS910CS-29A.....	Handle Cap.....		1
32.....	TS-2286302.....	Pan Head Screw.....	M6X30.....	4
35.....	TS-1503011.....	Socket Head Cap Screw.....	M6X8.....	2
38.....	MBS910CS-38.....	Blade Adjust.....		1
39.....	TS-1524051.....	Socket Set Screw.....	M8X20.....	2
40.....	TS-2311081.....	Hex. Nut.....	M8.....	2
41.....	MBS910CS-41.....	Guide.....		2
42.....	MBS910CS-42.....	Guide.....		2
43.....	MBS910CS-43.....	Eccentric Guide.....		2
44.....	BB-608ZZ.....	Ball Bearing.....	608ZZ.....	4
45.....	MBS708CS-45.....	C-Retainer Ring.....	ø 8.....	4
46.....	MBS910CS-46.....	Eccentric Guide.....		2
47.....	TS-1534052.....	Pan Head Screw.....	M6X16.....	2
48.....	MBS910CS-48.....	Blade Cover.....		1
49S.....	MBS708CS-49S.....	Power Cutting Bracket.....		1
49-1.....	MBS708CS-49-1.....	Power Cutting Bracket.....		1
49-2.....	MBS708CS-49-2.....	Cross Round Head Screw.....	M3x30L.....	2
49-3.....	TS-1550041.....	Washer.....	M6.....	2
49-4.....	TS-1503031.....	Socket Head Cap Screw.....	M6X12.....	2
52.....	TS-1523011.....	Socket Set Screw.....	M6X6.....	2

**Parts List for the MBS910VS
Transmission & Head Assembly**

Index No.	Part No.	Description	Size	Qty.
54	MBS910CS-54	Blade Adjustable		1
55	TS-1523011	Socket Set Screw	M6X6	2
56	TS-1504071	Socket Head Cap Screw	M8X35	2
57	TS-1550051	Washer	M8	2
58	MBS910CS-58	Blade Cover		1
59	TS-1550051	Washer	M5	2
60	TS-1533032	Pan Head Screw	M5X10	2
63	TS-1505051	Socket Head Cap Screw	M10X40	2
64	TS-1505031	Socket Head Cap Screw	M10X25	2
65	MBS910CS-65	Frame Pivot Shaft		1
66	MBS910CS-66	Anti-Chip Cover		2
67	BB-32006	Tapered Roller Bearing	32006	1
71	MBS910VS-71AE	Motor	1.5HP/230V/3PH	1
72	TS-1503061	Socket Head Cap Screw	M6x25	4
73	TS-2361061	Lock Washer	M6	4
74GA	MBS910VS-74GA	Gear Box Assembly (08080032 and higher)		1
75	TS-2361101	Lock Washer	M10	4
76	TS-1505021	Socket Head Cap Screw	M10x20	4
77	MBS910CS-77	Reducer Cover		1
78	MBS910CS-78	Hose Fitting	ø 8X1/4"PT	1
79	TS-1503041	Socket Head Cap Screw	M6X16	2
80	MBS708CS-80	3 Way Valve		1
81	MBS910CS-81	PU Tube	ø 6x240L	1
82	MBS708CS-82	Valve	1/8"	2
82A	MBS708CS-82A	Handle		2
83	MBS708CS-83	Hose Fitting	ø 6X1/8"PT	4
84	MBS910CS-84	PU Tube	ø 6x800L	1
85	TS-1505041	Socket Head Cap Screw	M10X30L	1
86	MBS708CS-86	Prime Shaft Washer		1
87	MBS910CS-87	Round Head Key	8X7X50	1
88	MBS910CS-88N	Output Shaft (08080032 and higher)		1
89	MBS910CS-89	Round Head Key	8X7X25	1
90	BB-6208VV	Ball Bearing	6208VV	1
91	MBS910CS-91	Spring Bracket		1
92	MBS910CS-92	Spring		1
92A	MBS910CS-92A	Bushing		1
93-1	MBS910CS-92-1	Down Bracket		1
93-2	TS-1502041	Socket Head Cap Screw	M5x16	2
93-3	TS-2361051	Lock Washer	M5	2
93-4	TS-1540071	Hex. Nut	M10	1
93-5	MBS910CS-93-5	Bushing		1
94	MBS910CS-94	Socket Head Cap Screw	M10x110	1
95	MBS910CS-95	Cylinder Assembly		1
96	MBS910CS-96	Idler Wheel		1
99	MBS910CS-99	Nut		1
100	MBS910CS-100	Blade	0.9X27X2450X5/8T	1
101	MBS910CS-101	Drive Wheel		1
102	MBS910CS-102	Drive Shaft Washer		1
103	TS-1492021	Hex. Cap Screw	M12X30	1
104	MBS910CS-104	Blade Back Cover		1
105	TS-1503041	Hex. Socket Head Screw	M6X16	4
106	TS-1550041	Washer	M6	4

**Parts List for the MBS910VS
Transmission & Head Assembly**

Index No.	Part No.	Description	Size	Qty.
107	MBS910CS-107	Cross Round Head Screw	M5X20L	3
108	MBS708CS-108	Hose Clip	ø 8	3
109	TS-1504031	Socket Head Cap Screw	M8x15L	2
110	TS-2361081	Lock Washer	M8	2
115	MBS910VS-115	Label		1
116	MBS910VS-116	Cover		1
117	TS-1533052	Pan Head Screw	M5x16	2
165S	MBS910CS-165S	Distance Set Rod Assembly (#165-1 ~#168-8)		1
165-1	MBS910CS-165-1	Distance Set Bracket		1
165-2	TS-1550051	Washer	M8	2
165-3	MBS708CS-165-3	Knob		2
165-4	MBS708CS-165-4	Stock Stop Rod		1
165-5	MBS708CS-165-5	Distance Set Rod		1
165-6	TS-1540090	Hex. Nut	M14	1
165-7	MBS708CS-165-7	Scale		1
165-8	MBS708CS-165-8	Rivet	ø 2	4
170	MBS708CS-170	Wheel		1
171	MBS708CS-171	Pin	ø 5X35	1
172	MBS708CS-172	Bearing Cover		1
173	MBS708CS-173	Thrust Bearing	3047	1
174	MBS708CS-174	Vise Handle		1
175	MBS910CS-175	Spring		1
176	MBS910CS-176	Bushing		1
178	MBS708CS-178	Washer	ID ø 6.5 OD• 18	1
179	TS-1503041	Socket Head Cap Screw	M6x16	1
180	MBS910CS-180	Vise Jaw Bracket		1
181	MBS910CS-181	Vise		1
182	TS-1514011	Socket Flat Head Screw	M6X12	2
183	TS-1505041	Socket Head Cap Screw	M10X30	2
184	TS-2361101	Lock Washer	M10	2
185	MBS910CS-185	Vise		1
186	MBS910CS-186	Vise Jaw Bracket		1
187	TS-1524021	Socket Set Screw	M8X10	1
188	MBS910CS-188	Vise		1
189	TS-1503041	Socket Head Cap Screw	M6X16	2
190	MBS910CS-190	Lead screw A		1
191	TS-1524051	Socket Set Screw	M8X20L	1
193	MBS-910CS-193	Socket Head Cap Screw	M6X110	2
194	MBS910CS-194	Swivel Arm		1
195	TS-1540071	Hex. Nut	M10	2
196	MBS910VS-196	Vise Jaw Adjustable Rod		1
197	MBS708CS-197	O-Retainer Ring	ø 19.8X ø 2.4	1
198	TS-2210451	Hex. Cap Screw	M10X45L	2
199	BB-32007	Tapered Roller Bearing	32007	1
200	MBS910CS-200	Bushing		1
201	MBS910CS-201	Nut		1
207	TS-1522051	Socket Set Screw	M5X16	2
209-1	MBS708VS-209-1	Value		1
209-2	MBS708VS-209-2	Throttle Valve		1
210-1	MBS910VS-210-1	O-Retainer Ring	P16	1
216	MBS708CS-216	Hex Socket Plug	3/8"PT	1

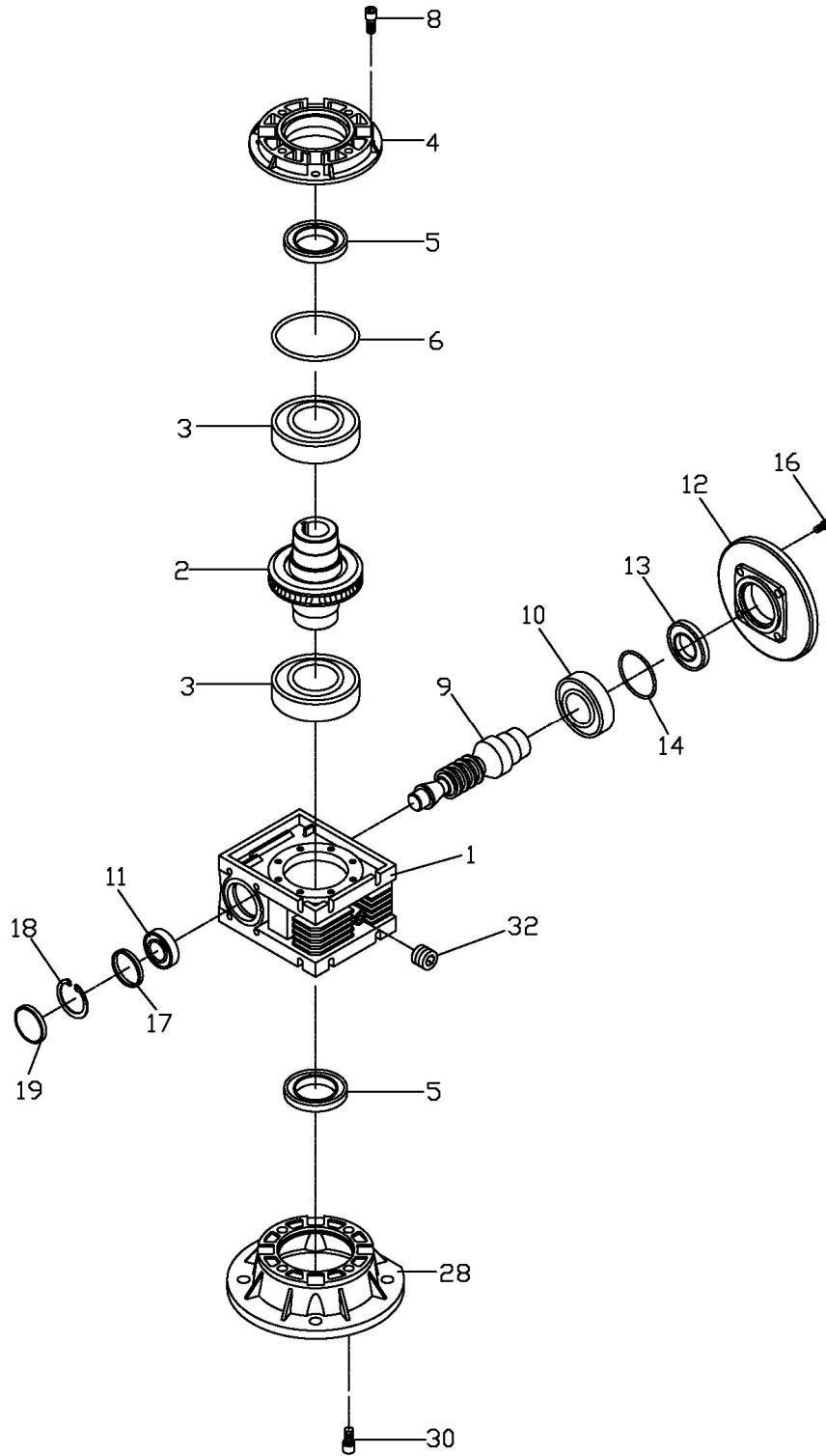
**Parts List for the MBS910VS
Transmission & Head Assembly**

Index No.	Part No.	Description	Size	Qty.
216-1	MBS708CS-216-1	O-Retainer Ring	P14	1
217	MBS910VS-217	Oil Mirror (oil glass)	3/8"PT	1
218	MBS910CS-218	O-Retainer Ring	ID195X5.7W	1
219	TS-2361101	Spring Washer	M10	6
220	TS-1505021	Socket Head Cap Screw	M10X20	6
221	MBS910CS-221	Stand		1
221-1	MBS910CS-221-1	Swivel Arm Base		1
222	MBS708CS-222	Filter		1
223	MBS708CS-223	Cross Round Head Screw	M4X8	2
224	TS-1491081	Hex. Cap Screw	M10X50	1
224-1	TS-1491101	Hex. Cap Screw	M10X100	1
225	TS-1540081	Hex. Nut	M12	2
227	TS-1491031	Hex. Cap Screw	M10X25	2
228	TS-2361101	Lock Washer	M10	2
229	MBS910CS-229	Fixed Plate		1
230	MBS708CS-230	Round Head Screw	M6X10	2
231	TS-1505051	Socket Head Cap Screw	M10X35	1
232	MBS708CS-232	Nut		1
233	MBS910CS-233	Adjustable Handle		1
234	TS-1550051	Flat Washer	M8	4
235	TS-1504051	Socket Head Cap Screw	M8x25L	4
240	MBS708VS-240	Pump	1/8HP/230V/50HZ	1
241	MBS708CS-241	Cross Round Head Screw	M6X15L	2
242	TS-2361061	Lock Washer	M6	2
243	MBS708CS-243	Micro Control Block	3/8"x3/8"	1
245	MBS708CS-245	PU Tube	ø8x1300L	1
248	MBS708CS-248	Fluid Collected Plate		1
249	MBS910VS-249	Feed Support		1
250	MBS910CS-250	Stand Leg Set		1
250-1	MBS910CS-250-1	Stand Leg		2
250-2	MBS910CS-250-2	Stand Leg		2
253	TS-1490031	Hex. Head Screw	M8x20L	12
254	TS-1550051	Flat Washer	M8	24
255	TS-2311081	Hex. Nut	M8	12
262	TS-2361061	Lock Washer	M6	4
263	TS-1503041	Socket Head Cap Screw	M6x16	4
282	MBS708CS-282	Knob		1
283	TS-1504031	Socket Head Cap Screw	M8X16	2
298	MBS910CS-298	Hex. Cap Screw	M10X75	1
301	MBS910CS-301	Socket Head Cap Screw	M810X110	1
304	TS-1503041	Socket Head Cap Screw	M6x16	2
305	TS-2361061	Lock Washer	M6	2
306	TS-1550041	Flat Washer	M6	2
307	TS-1540041	Hex. Nut	M6	2
308	MBS708CS-308	Blade tension Meter		1
320	MBS910CS-320	Hose Clip		1
309	MBS910VS-309	Control panel		1
312	MBS708CS-312	Control Box Base		1
313	MBS708CS-313	Cross Round Head Screw	M5X5L	6
323	TS-1501081	Socket Head Cap Screw	M4X30L	2
324S	MBS910CS-324S	Brush Assembly (#324-1~#324-6)		1

**Parts List for the MBS910VS
Transmission & Head Assembly**

Index No.	Part No.	Description	Size	Qty.
323-1...	TS-1550021	Flat Washer	M4	2
324	TS-1540021	Hex. Nut	M4	2
324S	MBS910CS-324S	Brush Assembly		1
324-1	MBS910CS-324-1	Brush Support		1
324-2	MBS910CS-324-2	Brush		1
324-3	TS-1482061	Hex. Cap Screw	M6x30	1
324-4	TS-1550041	Flat Washer	M6	2
324-5	TS-1540041	Hex. Nut	M6	2
324-6	TS-1503021	Socket Head Cap Screw	M6x10	2
325	MBS910CS-325	Micro Switch Bracket		1
326	MBS910CS-326	Cross Round Head Screw	M4x28	2
327	TS-1550031	Flat Washer	M5	2
328	TS-1481041	Hex. Cap Screw	M5X16	2
329	MBS910VS-329	Label for Dimension of Section to Cut (not shown)		1

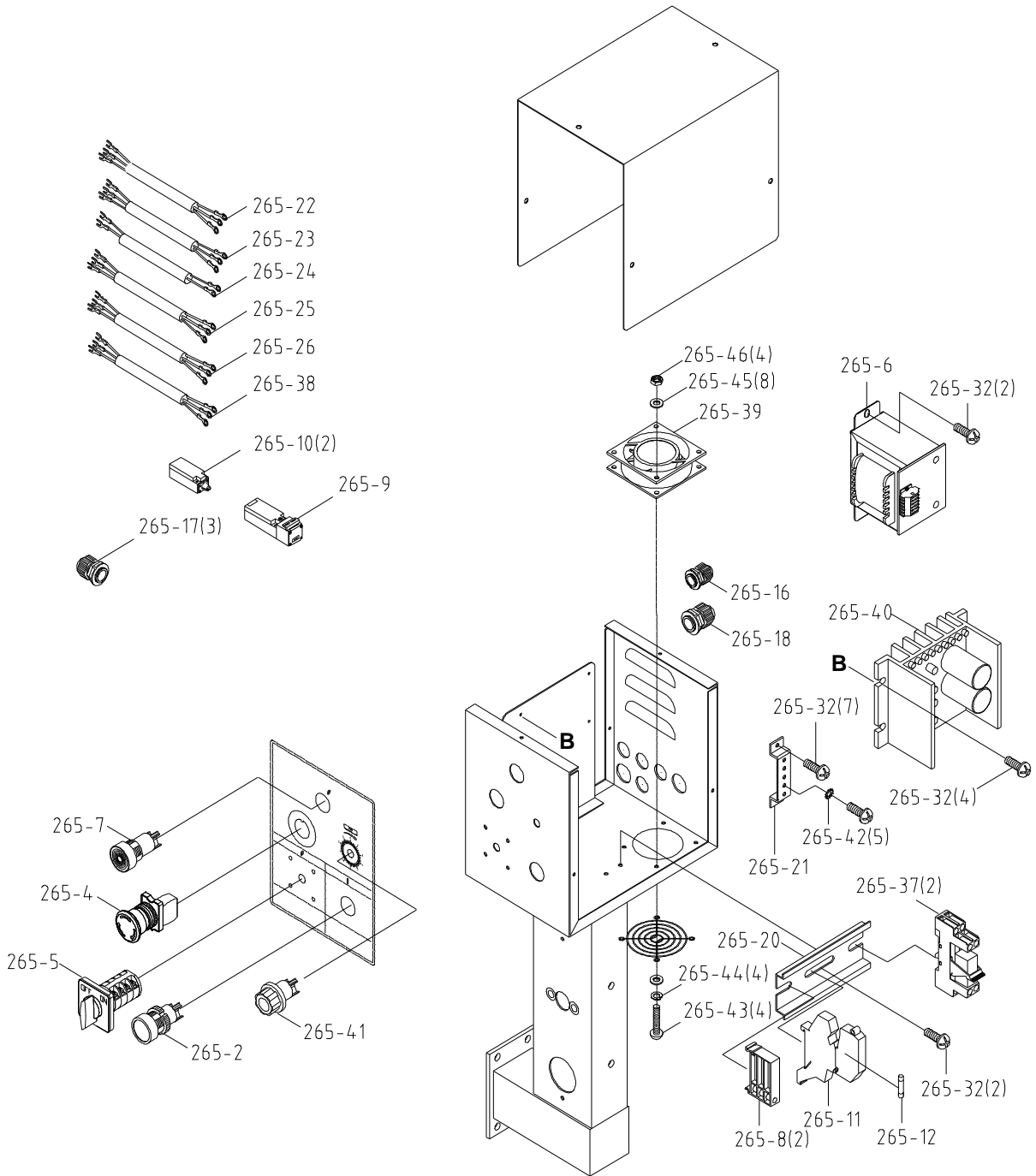
**Parts list for MBS-910VS
Breakdown for Gear Box Assembly**



**Parts List for MBS-910VS
Gear Box Assembly**

Index No.	Part No.	Description	Size	Qty.
1.....	MBS708CS-74GA-1.....	Gear Box		1
2.....	MBS910CS-74GA-2.....	Worm Gear	E=1/40	1
3.....	BB-6008ZZ	Ball Bearing	6008ZZ	2
4.....	MBS708CS-74GA-4.....	Gear Box Cover		1
5.....	MBS708CS-74GA-5.....	Oil Seal	TC40x62x7b	2
6.....	MBS708CS-74GA-6.....	Oil Seal		1
8.....	MBS708CS-74GA-8.....	Socket Star Head Screw	M6x16	8
9.....	MBS910CS-74GA-9.....	Worm Shaft		1
10.....	BB-6006ZZ	Ball Bearing	6006ZZ	1
11.....	BB-6204ZZ	Ball Bearing	6204ZZ	1
12.....	MBS708CS-74GA-12.....	Motor Flange		1
13.....	MBS708CS-74GA-13.....	Oil Seal	TC30x47x7b	1
14.....	MBS708CS-74GA-14.....	Oil Seal		1
16.....	MBS708CS-74GA-8.....	Socket Star Head Screw	M6x16	6
17.....	MBS708CS-74GA-17.....	Washer		1
18.....	MBS708CS-74GA-18.....	C-Ring.....		1
19.....	MBS708CS-74GA-19.....	Oil Seal		1
28.....	MBS708CS-74GA-28.....	Connect Flange.....		1
30.....	TS-1504031	Socket Head Cap Screw	M8x16	4
32.....	MBS708CS-74GA-32.....	Oil Plug		2

Breakdown for the MBS910VS Electrical Box Assembly



**Parts List for the MBS910VS
Electrical Box Assembly**

Index No.	Part No.	Description	Size	Qty.
265S.....	MBS910CS-265	Control Box Assembly		1
265-2.....	MBS708CS-215-2	Push-Button Switch	NPB-F.....	1
265-4.....	MBS708CS-215-5	Emergency-Stop Switch	HY-57B.....	1
265-5.....	MBS910VS-265-5	Power Switch & Luck.....		1
265-6.....	MBS910VS-265-6	Transformer	230/24V	1
265-7.....	MBS708CS-215-6	Power Light	NLD-22	1
265-8.....	MBS708CS-215-43	End-Gland		2
265-9.....	MBS708CS-215-32	Limit-Switch	AZD-S11	1
265-10.....	MBS708CS-215-36	Limit-Switch	AZD-112	2
265-11.....	MBS708CS-215-41	Fuse-Base	281-611	1
265-12.....	MBS708CS-215-42	Fuse	2A	1
265-16.....	MBS708CS-215-13	Cable-Gland	PG9	4
265-17.....	MBS708CS-215-34	Cable-Gland	PG11	2
265-18.....	MBS708CS-215-15	Cable-Gland	PG13.5	2
265-20.....	MBS708CS-265-17	Din-Rails	9cm	1
265-21.....	MBS708CS-215-18	Grand Copper Pin		1
265-22.....	MBS910VS-265-22	Power Cable	H07RNx1.5mm ²	1
265-23.....	MBS910VS-265-23	Motor Cable	H07RNx1.5mm ²	1
265-24.....	MBS708CS-215-35	Limit Cable.....	H05VV-Fx0.75mm ²	1
265-25.....	MBS708CS-215-22	Pump Cable.....	H05VV-Fx0.75mm ²	1
265-26.....	MBS708CS-265-26	Limit Cable.....	H05VV-Fx0.75mm ²	1
265-32.....	MBS708CS-215-28	Pan Head Screw	M4X6	15
265-37.....	MBS708CS-215-40	Relay.....	24V	2
265-38.....	MBS708CS-215-35	Limit Cable.....	H05VV-Fx0.75mm ²	1
265-39.....	MBS910VS-265-39	Fan	9CM	1
265-40.....	MBS910VS-265-40	Frequency Converter26D	1
265-41.....	MBS910VS-265-41	Revolution Knob.....		1
265-42.....	MBS708CS-215-30	Star Washer	M4	5
265-43.....	MBS910VS-265-43	Pan Head Screw	M4x40	4
265-44.....	TS-2361041	Lock Washer	M4	4
265-45.....	TS-1550021	Flat Washer	M4	8
265-46.....	TS-1540021	Hex. Nut.....	M4	4

MBS910VS
50000340M

230/50/1

	colour of strands	Litzenfarben	couleur des cordons
BK	black	schwarz	noir
WH	white	weiß	blanc
BU	blue	blau	bleu
RD	red	rot	rouge
BN	brown	braun	brun
GNYE	green-yellow	grün-gelb	vert-jaune
GN	green	grün	vert

	meaning of symbol	Bedeutung der Zeichen	interprétation
ACD	inverter	inverseur	inverter
TC	Transformer	Transformateur	Transformator
R	Relay	Relais	Relais
SA	Power Switch	commutateur électrique	Netzschalter
SB1	Emergency stop	Not-Aus Schalter	arrêt d'urgence
SB2	Push-Button Switch	Ein-Schalter	bouton marche
SQ1	Limit switch	Positionsendschalter	micro
SQ2	Limit switch	Positionsendschalter	micro
SQ3	Limit switch	Positionsendschalter	micro
L	Light	Anzeigelampe	lampe d'indication
FU	Fuse	Sicherung	fusible
F	FAN	ventilateur	Ventilator
P	Pump	Pompe	Pumpe

