

JET

JWBS-24

WOODWORKING BANDSAW

1791260T ...400/50/3

PARTS LIST

Walter Meier (Tool) AG
Tämperlistrasse 5
CH-8117 Fällanden
Switzerland
Phone +41 44 806 47 48
Fax +41 44 806 47 58
jetinfo.eu@waltermeier.com
www.jettools.com



P-1791260T 2010/06/25

Saw Body Assembly

Index No.	Part No.	Description	Size	Qty
1	2415-101E	Body		1
2	JWBS24-102AE	Magnetic Switch		1
	JWBS24-102CSAE	Contacting Switch (not shown)		1
	JWBS24-102ORE	Overload Relay (not shown)		1
3	JWBS24-103AE	Switch Box		1
4	TS-069204	Flat Washer		2
5	PM2000-298	Safety Key for Magnetic Switch		1
6	JWBS24-106E	Transformer		1
7	JWBS24-107E	Cover Plate		1
8	JWBS24-108E	Label		1
9	JWBS18-232E	Dust Chute		1
10	TS-0680031	Flat Washer	5/16	2
11	TS-0051051	Hex Cap Screw	5/16-18x3/4	2
12	TS-0560071	Hex Nut	#10-24	2
13	TS-0561021	Hex Nut	5/16-18	2
14	6295126	Brush		1
15	TS-081C082	Phillips Pan Head Machine Screw	#10-24x1-1/2	2
16	6294804E	Lower Back Door		1
17	TS-0680021	Flat Washer	1/4	10
18	TS-1503031	Socket Head Cap Screw	M6-1.0Px12	9
19	6294805E	Power Cord	3Ph	1
20	6294806	Lower Blade Wheel		2
21	6294807	Tire		2
22	6295134	Hex Nut	3/4-16(L.H)	2
23	TS-0680091	Flat Washer	3/4	2
24	6295061	Blade	1"x.026x3 hook	1
25	6295137	Door Latch		3
26	6295138	Door Catch		3
27	6295139	Phillips Pan Head Machine Screw	M4x4	9
28	2415-128E	Lower Front Door		1
29	2415-129E	Upper Front Door		1
30	JWBS24-130AE	Braking Release Switch		1
31	JWBS24-131	Wiring Block		1
32	6294810	Scale		1
33	6294811AE	I.D Label		1
35	JWBS18-140	Name Plate		1
37	TS-0720081	Lock Washer	5/16	1
38	2415-138	Upper Blade Wheel		1
39	6295208	Ball Bearing	6205	2
40	2013-140	Retaining Ring	Ø 52	2
41	JWBS24-141E	Plate		1
42	JWBS24-142E	Limit Switch Kit		3
43	JWBS24-143E	Bracket		1
44	54A-S39	Strain Clamp	PG11	3
45	54A-S40AE	Strain Clamp	PG13.5	2
46	JWBS24-146E	Swivel Plate		1
47	TS-0254021	Socket Head Button Screw	1/4-20x1/2	6
48	TS-2246122	Socket Head Button Screw	M6x12	4
49	2013-333	Bush		2
50	TS-2284302	Screw	M4x30	8
51	TS-0254031	Socket Head Button Screw	1/4-20x5/8	4
52	TS-0570011	Hex Nut	1/4-20	1
53	TS-1532042	Screw	M4x12	4
54	TS-1540021	Hex Nut	M4	12
55	JWBS24-155E	Label		1
56	JWBS24-156E	Cord (Limit Switch)		3

Index No.	Part No.	Description	Size	Qty
61	TS-081C032	Screw	#10-24x1/2	2
62	TS-069204	Flat Washer	#10	4
63	JWBS18DX-147	Tracking Window		1
64	TS-0720051	Lock Washer	#10	2
65	JWBS24-165E	Fuse Base		3
66	JWBS24-166E	Fuse	1A	3
67	JWBS24-167E	Fuse Base Plate		1

Saw Body Assembly

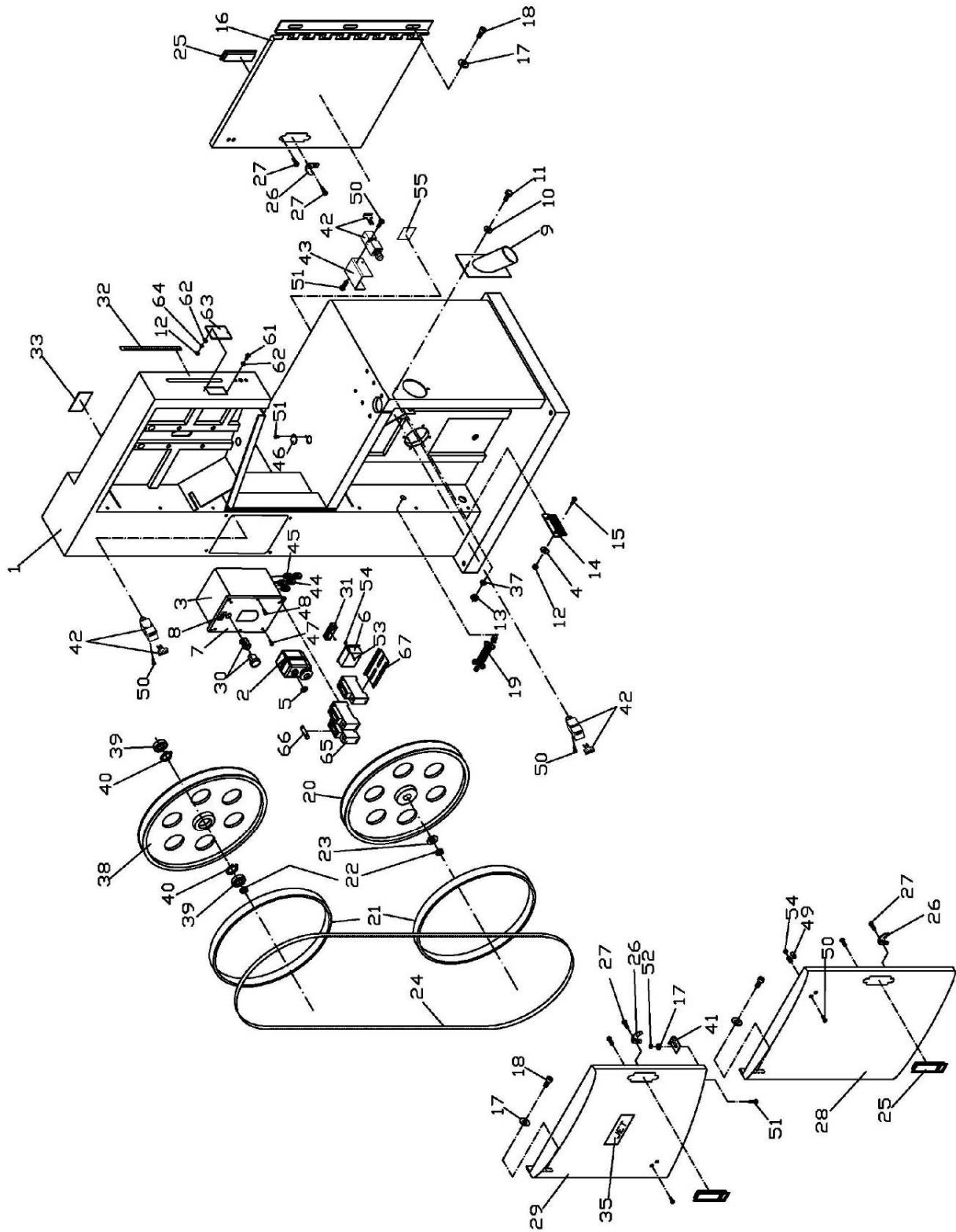
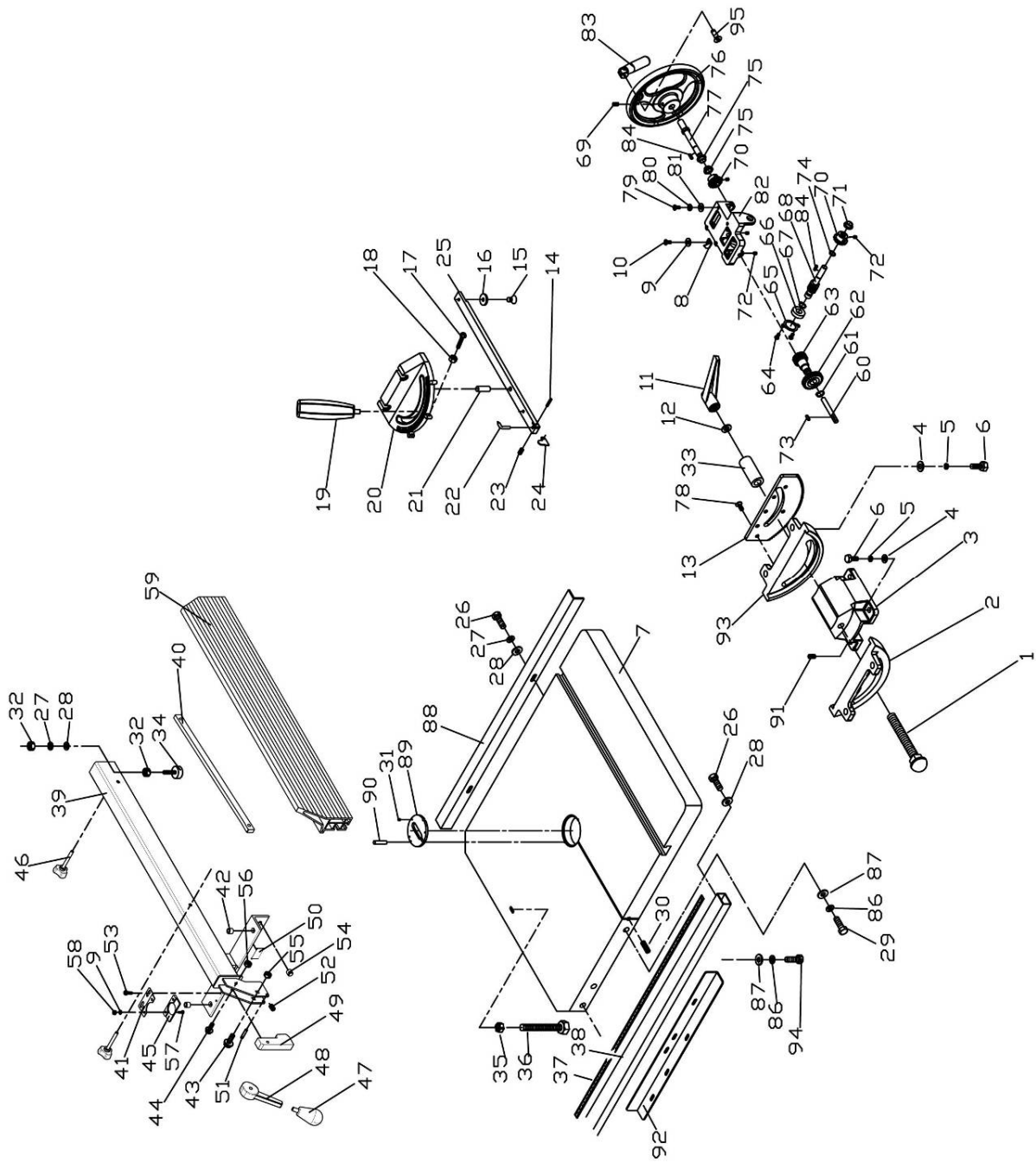


Table Assembly

Index No.	Part No.	Description	Size	Qty
1	2013-201	Carriage Bolt	1/2-12x9	1
2	6295149	Trunnion (Left Side)		1
3	2013-203	Table Bracket		1
4	TS-0680041	Flat Washer	3/8	8
5	TS-0720091	Lock Washer	3/8	8
6	TS-0060061	Hex Cap Screw	3/8-16x1-1/4	8
7	6294836E	Work Table		1
8	6295155	Pointer		1
9	TS-0720051	Lock Washer	#10	3
10	TS-081C022	Phillips Pan Head Machine Screw	#10-24x3/8	1
11	6295158	Locking Handle		1
12	TS-0680061	Flat Washer	1/2	1
13	2013-213	Angle Scale Plate		1
	6295328E	Miter Gauge Assembly (Items 14 thru 25)		1
14	6295161	Pin		1
15	6295162	Flat Head Screw	1/4	1
16	6295163	Guard Disc		1
17	TS-1533062	Phillips Pan Head Machine Screw	M5x20	3
18	TS-1540031	Nut	M5	3
19	6295166E	Knob		1
20	6295167	Miter Gauge Body		1
21	6295168	Pin		1
22	6295169	Pointer		1
23	TS-1521011	Socket Set Screw	M4x4	1
24	6295171	Stop Block		1
25	JWBS24-225E	Miter Bar		1
26	TS-0050021	Hex Cap Screw	1/4-20x5/8	3
27	TS-0720071	Lock Washer	1/4	2
28	TS-0680021	Flat Washer	1/4	3
29	TS-0051061	Hex Cap Screw	5/16-18x1-1/4	3
30	TS-0270051	Socket Set Screw	5/16-18x1/2	1
31	TS-1521011	Socket Set Screw	M4x4	3
32	TS-0561011	Hex Nut	1/4"-20	2
33	2013-253	Bushing		1
34	6295181	Sliding Pad		1
35	TS-0570031	Hex Nut	3/8-16	1
36	TS-0060171	Hex Cap Screw	3/8-16x4	1
37	6294838	Scale		1
38	6294839E	Guide Rail		1
	JWBS24-FAE	Fence Assembly (Item 9,27,28,32,34,39 thru 59)		1
39	6294840E	Fence Body		1
40	JWBS24-240E	Bar		1
41	800708950C	Cursor Bracket		1
42	XF-5	Nylon Adjustment Screw		2
43	TS-0152031	Carriage Bolt	5/16-18x1-1/2	1
44	TS-0151041	Carriage Bolt	1/4-20x1-1/2	1
45	800708950D	Cursor		1
46	JWBS24-246E	Knob		2
47	6430055	Knob		1
48	3076232	Lock Handle		1
49	3215301	Lock Plate		1
50	3575080	Pad		2
51	6626031	Spring Pin		1
52	6813042	Spring		1
53	TS-081D022	Screw	#10-32x3/8	2
54	TS-0271031	Set Screw	3/8-16x3/8	2

Index No.	Part No.	Description	Size	Qty
55	TS-0640081	Nylon Nut	5/16-18	1
56	TS-0640071	Nylon Nut	1/4-20	1
57	TS-081D021	Screw	#10-32x3/8	2
58	TS-0560081	Hex Nut	#10-32	2
59	JWBS24-259E	Fence		1
60	2013-260	Shaft		1
61	2013-261	C-Ring	S-17	1
62	2013-262	Gear		1
63	2013-263	Worm Gear		1
64	TS-081F032	Phillips Pan Head Machine Screw	1/4-20X1/2	2
65	2013-265	Worm Gear Cap		1
66	BB-6002	Ball Bearing	6002	1
67	2013-267	C-Ring	S-15	1
68	2013-268	Worm Shaft		1
69	TS-0270051	Socket Set Screw	5/16-18X1/2	2
70	2013-270	Bevel Gear		2
71	2013-271	Bushing		1
72	TS-0267021	Socket Set Screw	1/4-20x1/4	6
73	2013-273	Key	5x5x12	1
74	2013-274	C-Ring	S-13	1
75	2012-275	Bushing		2
76	2013-276	Handwheel Assembly		1
77	2013-277	Shaft		1
78	TS-0246031	Flat Head Socket Screw	5/16-18x3/4	6
79	TS-0255031	Button Head Socket Screw	5/16-18x5/8	4
80	TS-0720081	Lock Washer	5/16	4
81	TS-0680031	Flat Washer	5/16	4
82	2013-282	Gear Bracket		1
83	2013-283	Handle		1
84	2013-284	Key	3x3x8	2
86	TS-0720081	Lock Washer	5/16	8
87	TS-0680031	Flat Washer	5/16	8
88	6294837E	Rear Rail		1
89	6295177E	Table Insert		1
	6295177AE	Table Insert (Narrow)		1
90	6295178	Spring Pin	Ø3x10	2
91	TS-0270061	Socket Set Screw	5/16-18x5/8	4
92	6294841E	Front Rail		1
93	2013-259	Trunnion (Right Side)		1
94	TS-0081031	Hex Cap Screw	5/16-18x3/4	5
95	TS-2286251	Flat Head Socket Screw	M6x25	1

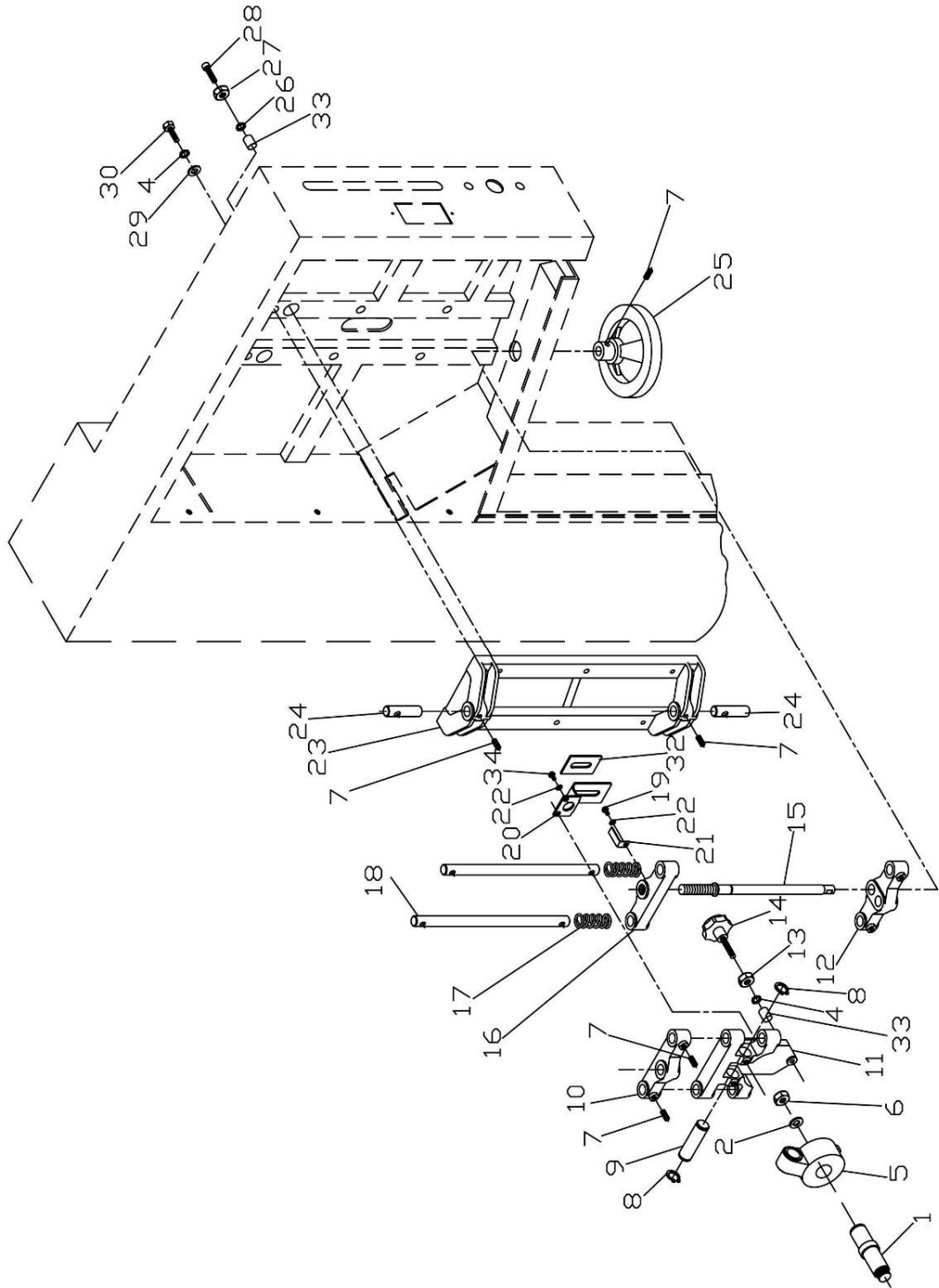
Table Assembly



Upper Wheel Base Assembly

Index No.	Part No.	Description	Size	Qty
1	2013-301	Upper Wheel Shaft		1
2	TS-0680091	Flat Washer	3/4	1
4	TS-0720091	Lock Washer	3/8	8
5	2013-305	Upper Wheel Shaft Bracket		1
6	6295890	Lock Nut	3/4-16 UNF	1
7	TS-0270051	Socket Set Screw	5/16-18x1/2	5
8	6295213	C-Ring	S-20	2
9	6295214	Lever Shaft		1
10	6295215	Upper Adjustment Bracket		1
11	6295891	Upper Wheel Guide Bracket		1
12	6295217	Adjustment Bracket		1
13	TS-0640091	Nylon Lock Hex Nut	3/8-16	1
14	6295219	Lock Knob		1
15	6294812	Adjustment Screw		1
16	6295221	Elevator Bracket		1
17	6294813	Spring		2
18	6294814	Guide Bar		2
19	TS-0810012	Screw	#10-24x1/4	1
20	6294815	Bracket		1
21	6295226	Pointer		1
22	TS-0720051	Lock Washer	#10	3
23	6294816	Upper Wheel Bracket Base		1
24	6295228	Bracket Shaft		2
25	6295229	Handwheel		1
26	TS-0720081	Lock Washer	5/16	2
27	TS-0640081	Nylon Insert Lock Nut	5/16-18	2
28	TS-0208121	Socket Head Cap Screw	5/16-18 x 2-1/2	2
29	TS-0680041	Flat Washer	3/8	4
30	TS-0060081	Hex Cap Screw	3/8-16x1-3/4	6
32	6294818E	Scale (Blade tension)		1
33	2013-333	Bushing		3
34	TS-081C022	Phillips Pan Head Machine Screw	#10-24x3/8	2

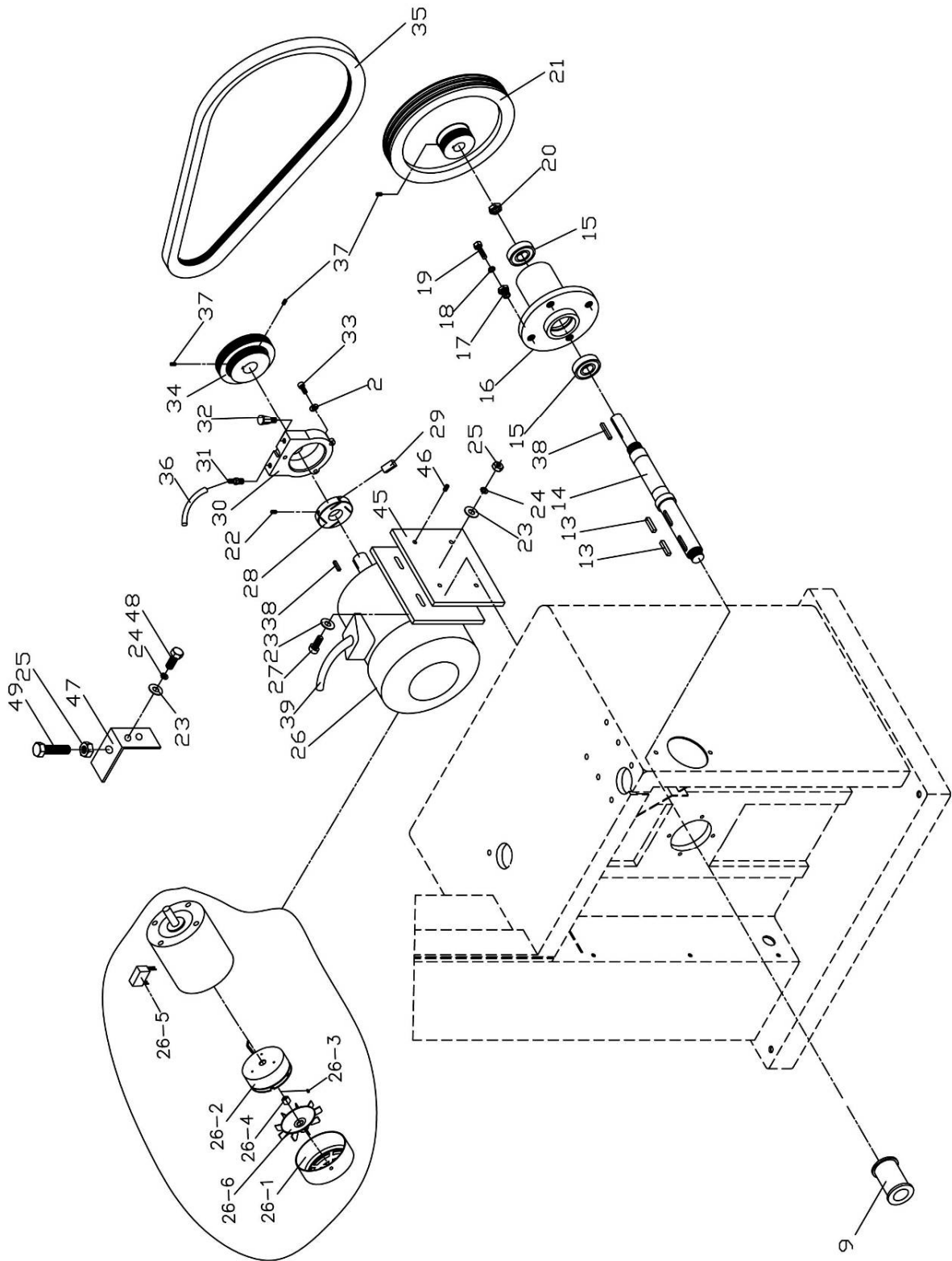
Upper Wheel Base Assembly



Lower Wheel Base Assembly

Index No.	Part No.	Description	Size	Qty
2	TS-0680021	Flat Washer	1/4	5
9	6295243A	Brake Wheel		1
13	6295247	Key	7x7x25	2
14	6295248A	Shaft		1
15	6295249	Ball Bearing	6206	2
16	6295250	Bearing Base		1
17	6295251	Adjusting Screw		4
18	TS-0720091	Lock Washer	3/8	4
19	TS-0060091	Hex Cap Screw	3/8-16x2	5
20	6295253	Hex Nut	M28	1
21	6294822	Spindle Pulley		1
22	TS-0267041	Socket Set Screw	1/4-20x3/8	2
23	TS-0680031	Flat Washer	5/16	10
24	TS-0720081	Lock Washer	5/16	6
25	TS-0561021	Hex Nut	5/16-18	5
26	2415-426AE	Motor	5HP, 3Ph	1
26-1	2415-426MCE	Motor Cover		1
26-2	2415-426BME	Brake Magnet		1
26-3	JWBS18DX-KE	Key	4x4x14	1
26-4	2415-426BE	Block		1
26-5	JWBS18DX-RE	Rectifier		1
26-6	2415-426MFE	Motor Fan		1
27	TS-0208081	Socket Head Cap Screw	5/16-18x1-1/2	4
28	6295258	Core		1
29	6295259	Core Piece		4
30	6295260	Fan Cover		1
31	6295261	Hose Connector		1
32	6295262E	Air Input Valve		1
33	TS-0207041	Socket Head Cap Screw	1/4-20x3/4	3
34	6294825	Motor Pulley		1
35	6294826	Ploy V-Belt	540J	1
36	6294827	Hose		1
37	TS-0270031	Socket Set Screw	5/16-18x3/8	6
38	6295268	Key	7x7x40	2
39	6294828E	Motor Cord		1
45	6294830A	Motor Plate		1
46	TS-0270031	Socket Set Screw	5/16-18x3/8	4
47	6294832	Belt Tension Bracket		1
48	TS-0051021	Hex Cap Screw	5/16-18x5/8	2
49	TS-0051111	Hex Cap Screw	5/16-18x2-1/2	1

Lower Wheel Base Assembly

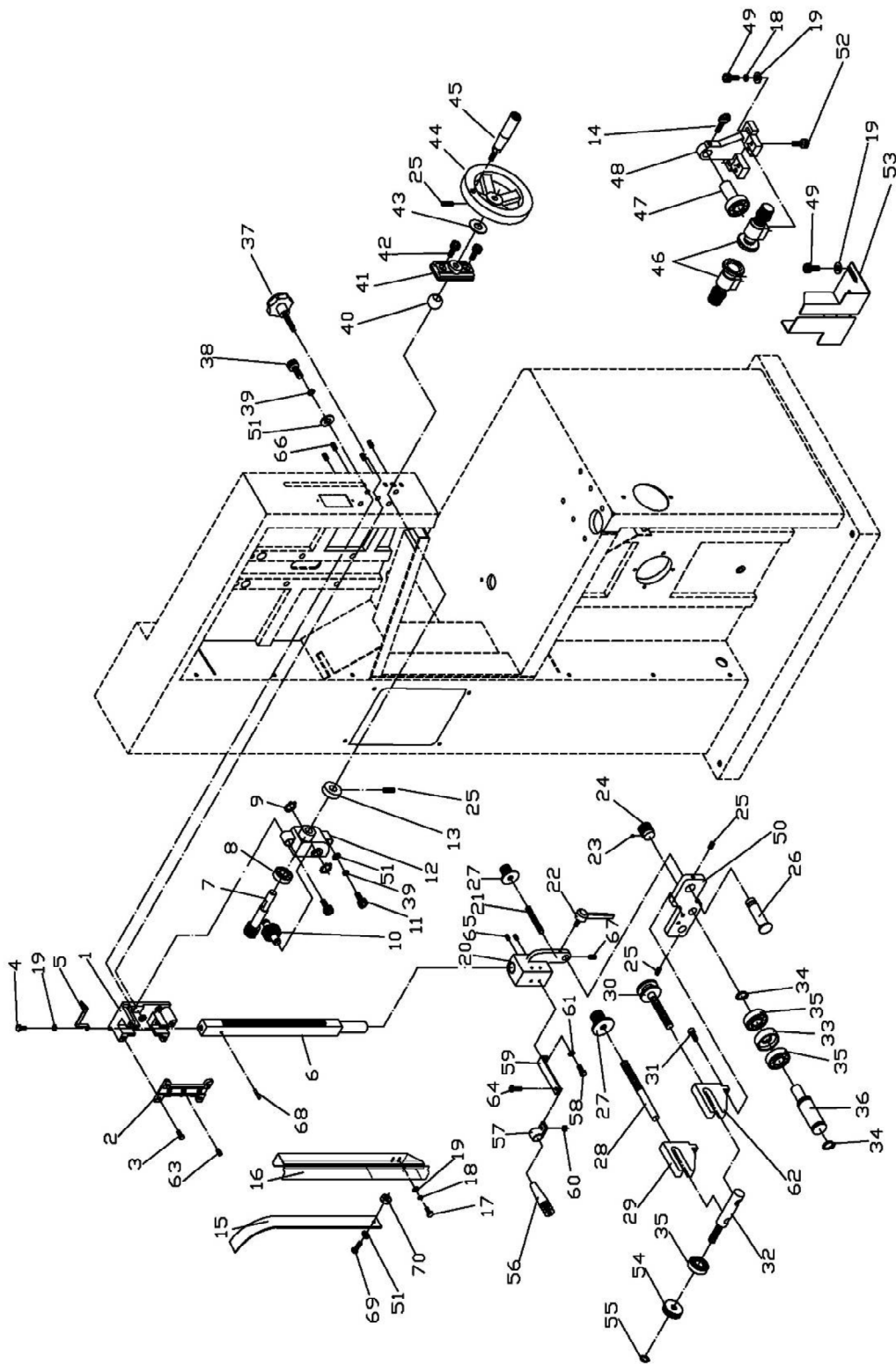


Guide Bracket Assembly

Index No.	Part No.	Description	Size	Qty
1	6295275	Guide Bar Case Bracket		1
2	6295276	Cover		1
3	TS-0081031	Hex Cap Screw	5/16-18x3/4	4
4	TS-0050011	Hex Cap Screw	1/4-20x1/2	1
5	6295278E	Pointer		1
6	6294835E	Guide Bar		1
7	6295280	Worm		1
8	6295281	Miniature Ball Bearing	609	1
9	6295282	C-Ring	S-12	2
10	6295283	Gear		1
11	TS-0208071	Socket Head Cap Screw	5/16-18x1-1/4	6
12	6295285	Gear Base		1
13	6295286	Set Block		1
14	6295287	Thumb Screw	1/4-20x1/4	1
15	6295288E	Inner Blade Guard		1
16	6295289E	Blade Guard		1
17	TS-0254031	Socket Head Button Screw	1/4-20x5/8	2
18	TS-0720071	Lock Washer	1/4	4
19	TS-0680021	Flat Washer	1/4	8
20	6295291	Guide Bar Bracket		1
21	TS-0270131	Socket Set Screw	5/16-18x2	1
22	6295293	Locking Handle	1/4-20x3/4	1
23	TS-1521011	Socket Set Screw	M4x4	4
24	6295294	Knob		2
25	TS-0267021	Socket Set Screw	1/4-20x1/4	6
26	6295296	Lever Shaft		1
27	6295297	Hand Nut		2
28	6295298	Bolt		1
29	6295299	Support Bearing Bracket (L)		1
30	6295300	Adjustment Bolt		1
31	TS-0207041	Socket Head Cap Screw	1/4-20x3/4	2
32	6295302	Support Bearing Shaft		1
33	6295303	Spacer		2
34	6295304	C-Ring	S-15	4
35	6295305	Ball Bearing	6202	5
36	6295306	Shaft		2
37	6295307	Knob	3/8-16x2	1
38	TS-0208071	Socket Head Cap Screw	5/16-18x1-1/4	4
39	TS-0720081	Lock Washer	5/16	6
40	6295308	Ball Bearing		1
41	6295309E	Bracket		1
42	TS-0208041	Socket Head Cap Screw	5/16-18x3/4	2
43	6295311	Plastic Washer		1
44	6295312	Handwheel		1
45	6295313	Handle		1
46	6295314	Guide Wheel Assembly		1
47	6295315	Blade Support Shaft w/Bearing		1
48	6295316	Lower Guide Bracket		1
49	TS-0050051	Hex Cap Screw	1/4-20x1	2
50	6295318	Bracket		1
51	TS-0680031	Flat Washer	5/16	5
52	TS-0207021	Socket Head Cap Screw	1/4-20x1/2	4
53	6295320E	Lower Blade Guard		1
54	6295321E	Locking Nut		1

Index No.	Part No.	Description	Size	Qty
55	6295322	C-Ring	E-5	1
56	6295323	Air Nozzle		1
57	6295324	Hose Clamp		1
58	TS-081C022	Screw	#10-24x3/8	1
59	6295325	Bracket		1
60	TS-0560071	Hex Nut	#10-24	1
61	TS-069204	Flat Washer	#10	1
62	6295327	Support Bearing Shaft (R)		1
63	TS-0270031	Socket Set Screw	5/16-18x3/8	3
64	TS-081C032	Phillips Pan Head Machine Screw	#10-24x1/2	1
65	TS-0270051	Socket Set Screw	5/16-18x1/2	4
66	TS-0267041	Socket Set Screw	1/4-20x3/8	4
67	2013-567	Eccentric Set Screw		1
68	JWS24-568E	Spring Pin	Ø5x10	1
69	TS-0255021	Socket Head Button Screw	5/16-18x1/2	1
70	TS-0570021	Hex Nut	5/16-18	1

Guide Bracket Assembly



**JWBS-24
1791260T**

	colour of strands	Litzenfarben	couleur des cordons
BK	black	schwarz	noir
WH	white	weiß	blanc
BU	blue	blau	bleu
YE	yellow	gelb	jaune
RD	red	rot	rouge
BN	brown	braun	brun
GY	grey	grau	gris
GNYE	green-yellow	grün-gelb	vert-jaune

	meaning of symbol	Bedeutung der Zeichen	interprétation
M	main motor	Hauptmotor	moteur principal
S3	switch	Schalter	interrupteur
S2	off switch	Aus-Schalter	bouton arrêt
S1	start switch	Ein-Schalter	bouton marche
KM1	contactor for main motor	Hauptschütz	contacteur moteur
OL	overload cut-off	Überlastschutzschalter	déclencheur surcharge
BR	motor break	Motorbremse	frein de moteur
TR	transformer	Transformator	transformateur
LS	limit switch	Positionsendschalter	micro
R	rectifier	Gleichrichter	rectifier

400/50/3

