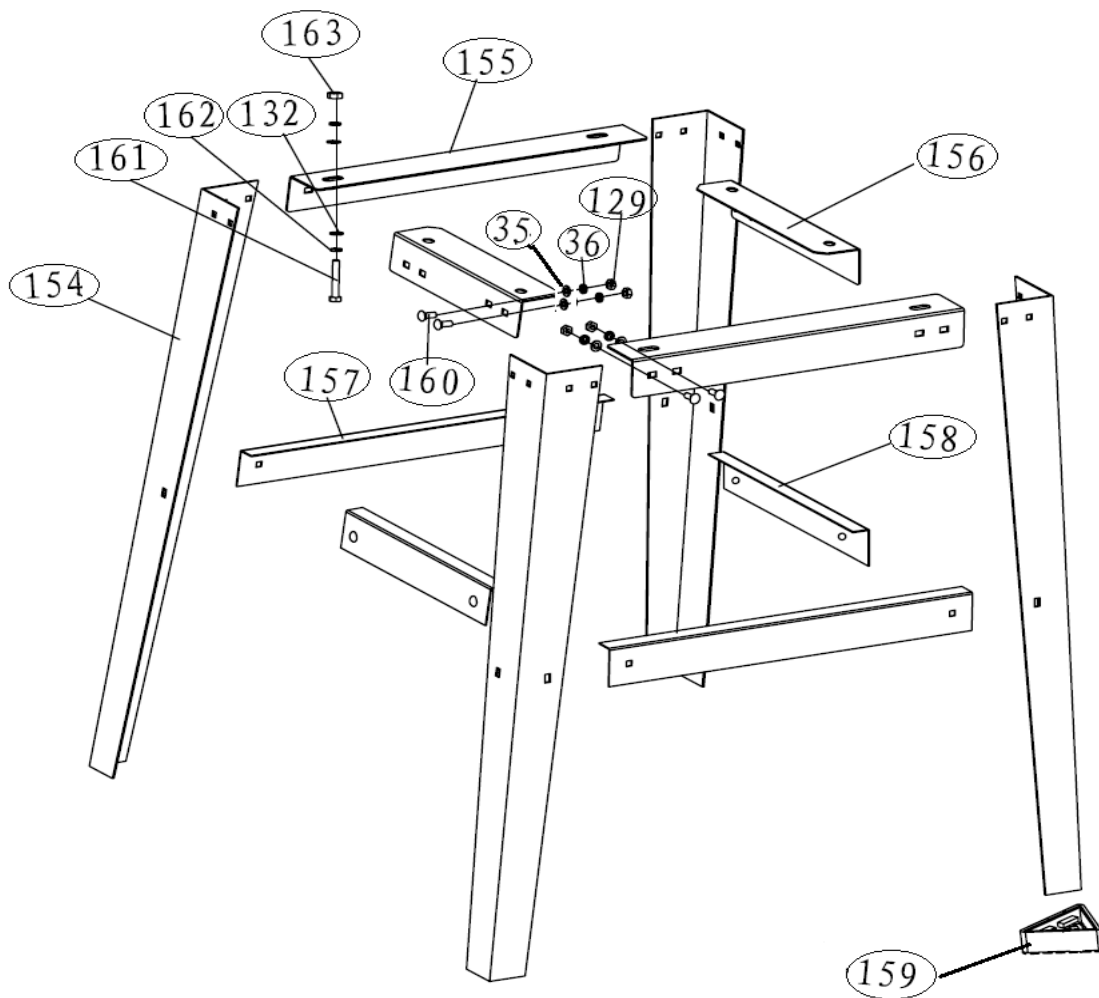


## 10000842.....Stand for JWP-12 Thickness Planer.....Parts List

| Index No. | Part No.    | Description           | Size  | Qty. |
|-----------|-------------|-----------------------|-------|------|
| 35        | JWP12-035ST | Flat Washer           | 6     | 31   |
| 36        | JWP12-036ST | Spring Washer         | 6     | 34   |
| 129       | JWP12-129ST | Hex. Nut              | M6    | 31   |
| 132       | JWP12-132ST | Flat Washer           | 8     | 12   |
| 154       | JWP12-154ST | Stand Leg             |       | 4    |
| 155       | JWP12-155ST | Short Support Plate A |       | 2    |
| 156       | JWP12-156ST | Short Support Plate B |       | 2    |
| 157       | JWP12-157ST | Short Support Plate C |       | 2    |
| 158       | JWP12-158ST | Short Support Plate D |       | 2    |
| 159       | JWP12-159ST | Rubber Foot           |       | 4    |
| 160       | JWP12-160ST | Carriage Bolt         | M6x12 | 24   |
| 161       | JWP12-161ST | Hex. Bolt             | M8x50 | 4    |
| 162       | JWP12-162ST | Spring Washer         | 8     | 8    |
| 163       | JWP12-163ST | Hex. Nut              | M8    | 8    |





2015-11-12